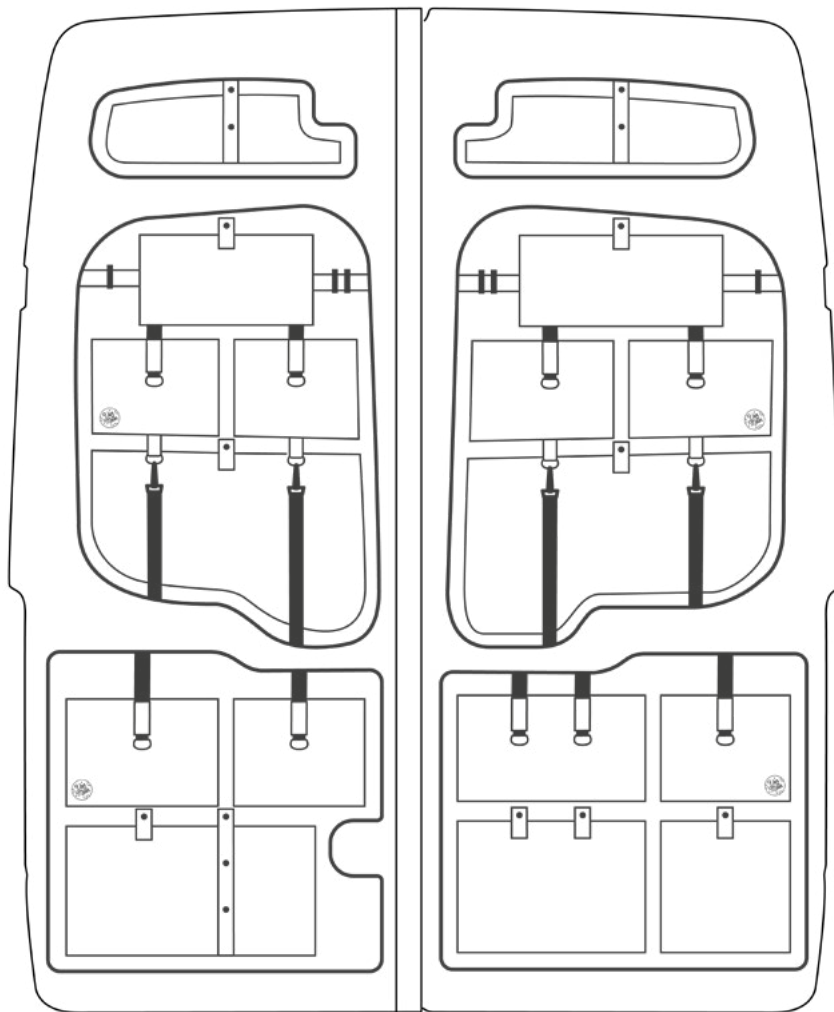




Ford Transit FWD H3

# MOON ORGANIZER

Assembly instructions



## Tools required



Drilling machine



Screw gun

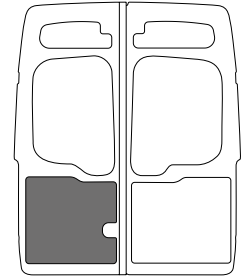


Adhesive tape



Scissors

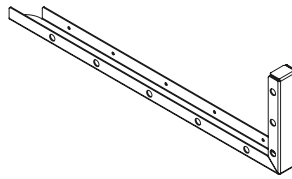
# Assembly of the right bottom organiser



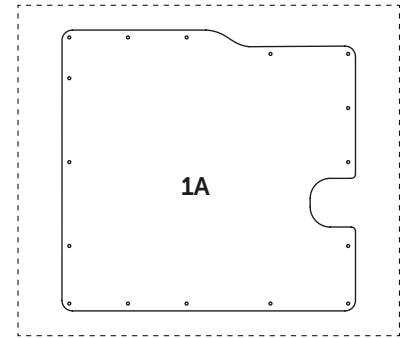
## Set of elements



**W1A1** – structure element **1x**



**W1A2** – structure element **1x**



Template **1A** **1x**

1. **W1A1** is mounted in the lower recess (Fig. 1) so that it is flush with the side of the door (Fig. 2) and flush with the edge of the door (Fig. 3). Mark the screw hole locations. Drill the holes and then screw in **W1A1**.
2. The **W1A2** element is mounted below the door handle area. Adjust **W1A2** so that it is level with the previously installed **W1A1** (Fig. 2). Mark the screw hole locations. Drill holes and then screw in the reinforcement – element **W1A2**.
3. Stick template **1A** to the car body and to the ones screwed on earlier (**W1A1** and **W1A2**).
4. Mark all mounting hole locations so as to leave a mark on the bodywork and on **W1A1** and **W1A2**. The mounting holes should be of a diameter (4 mm to 6 mm) suitable for screws (not included). Remove the template. Drill the mounting holes with a suitable drill bit.
5. Apply the Moon Organizer and screw it to the bodywork and the previously installed components with screws.

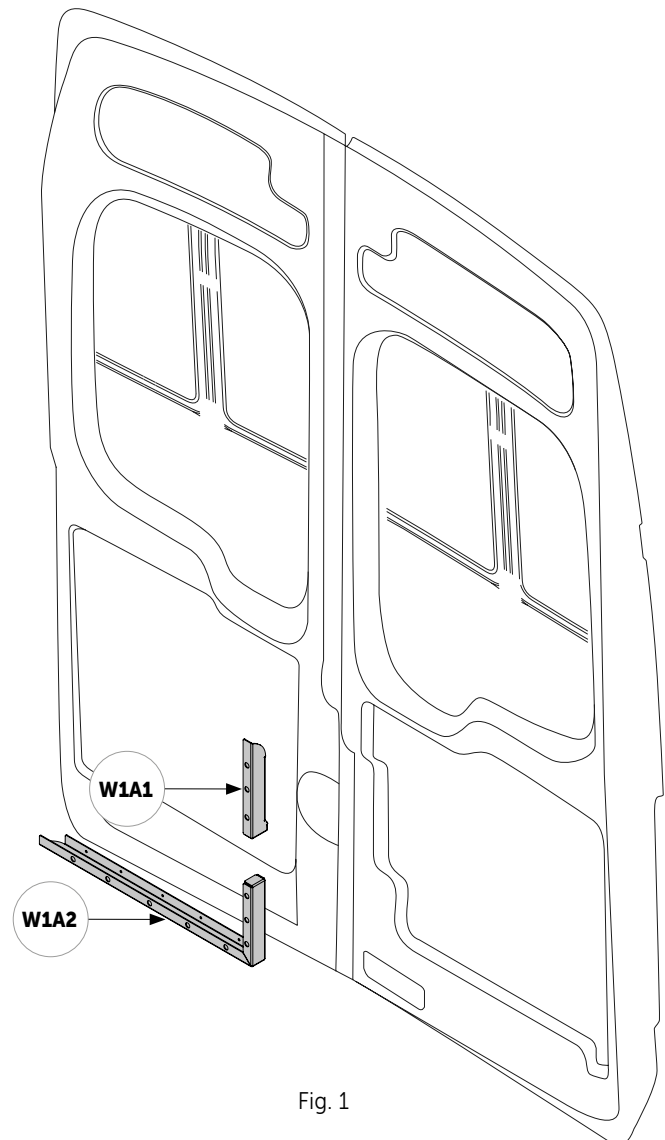


Fig. 1

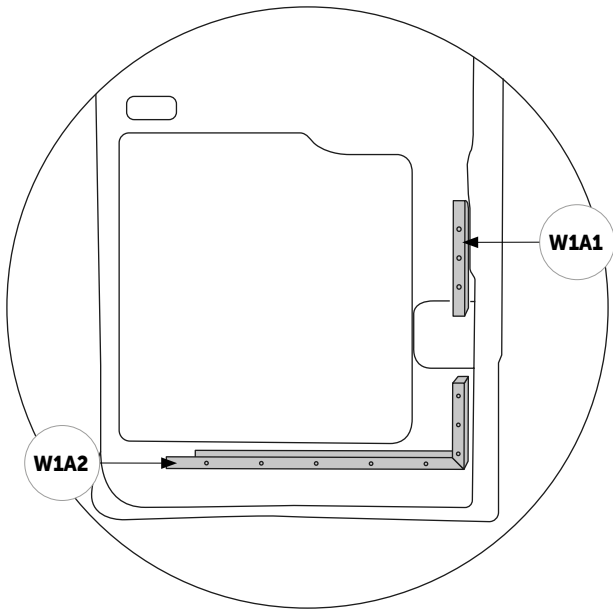


Fig. 2

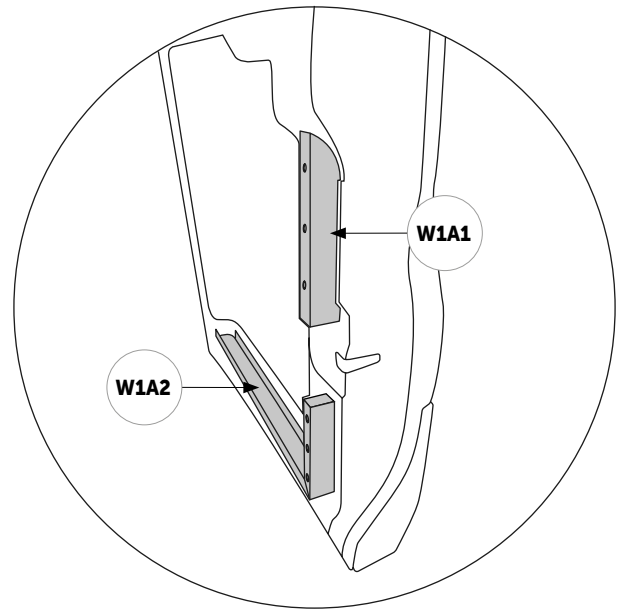
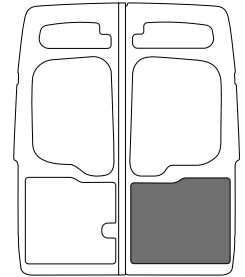
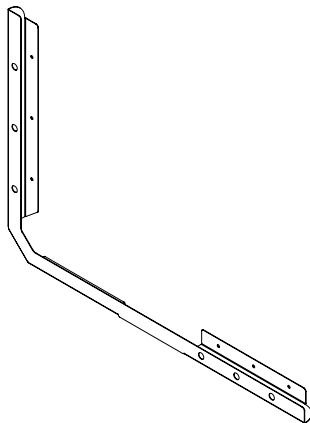


Fig. 3

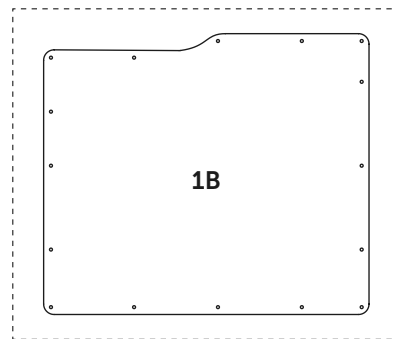
## Assembly of the left bottom organiser



### Set of elements



**W1B** – structure element **1x**



Template **1B** **1x**

1. Position **W1B** so that it is vertically flush with the side of the door (Fig. 4 and Fig. 5) and the matching cut-out covering the embossing (fig. 6). Mark the screw hole locations. Drill the holes and then screw in **W1B**.
2. Stick **W1B** and template **1B** to the car body.
3. Mark all mounting hole locations so as to leave a mark on the bodywork and on **W1B**. The mounting holes should be of a diameter (4 mm to 6 mm) suitable for screws (not included). Remove the template. Drill the mounting holes with a suitable drill bit.
4. Apply the Moon Organizer and screw it to the bodywork and the previously installed components with screws.

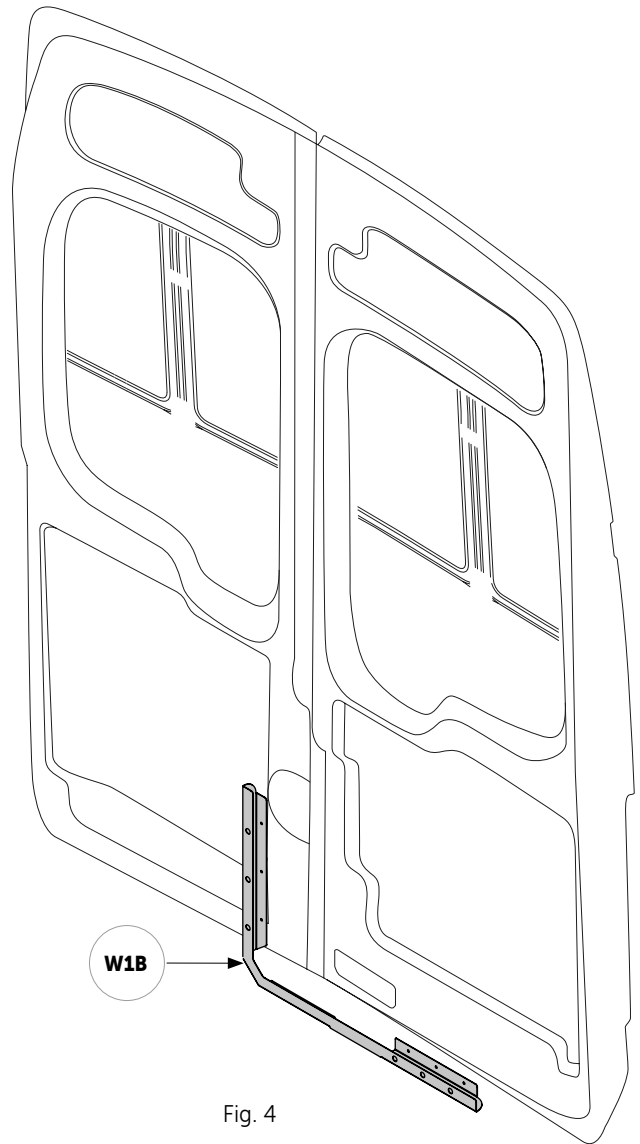


Fig. 4

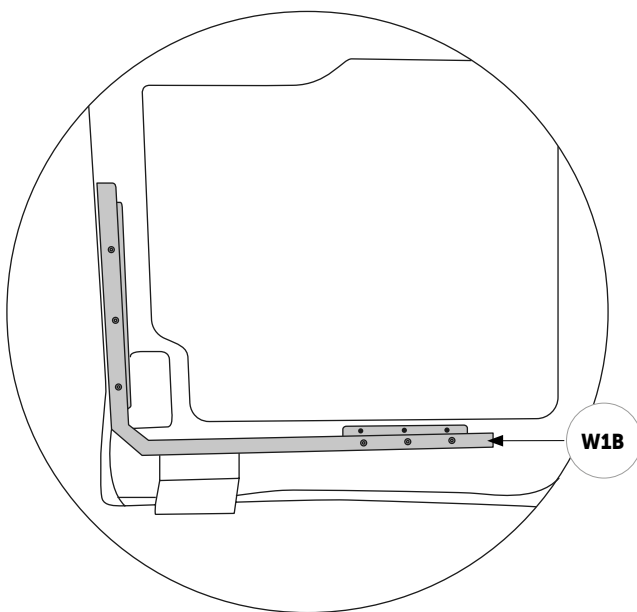


Fig. 5

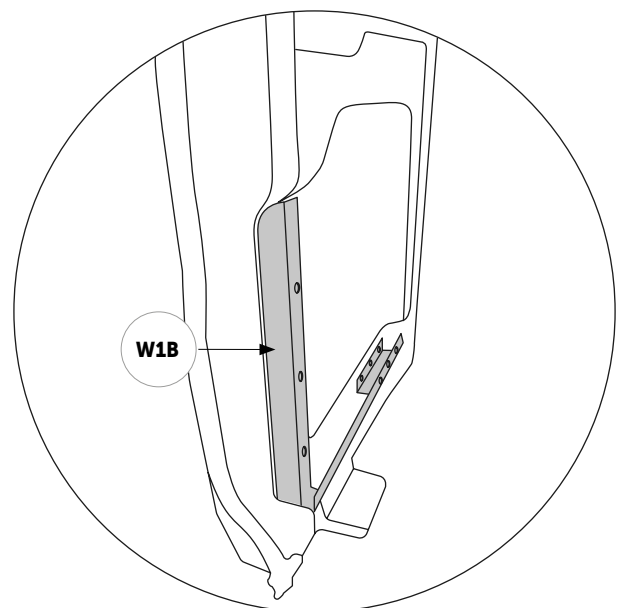
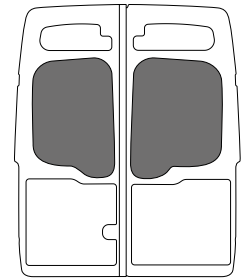


Fig. 6

# Assembly of the right and left middle organiser



## Set of elements



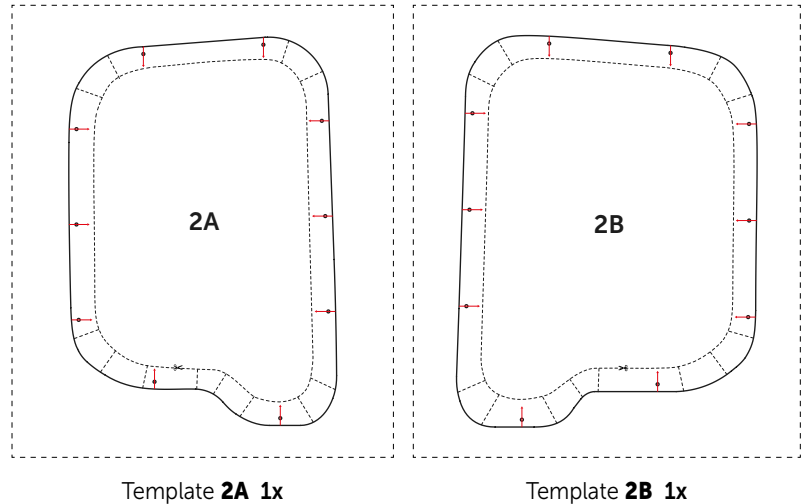
**W1** – stabilising element 2x



**W2** – stabilising element 2x



**W3** – mounting plate 20x



1. Cut out the centre of sheet **2A** and/or **2B** and trim the sheet according to the dotted lines. Stick the cut-out template **2A** and/or **2B** to the car body.
2. Fold sheet **2A** and/or **2B** to fit the inner cavity.
3. The red lines are an extension of where the mounting hole in the Moon Organizer is located.
4. Take 1 **W3** mounting plate and position it centrally on the red line of the sheet. Slide mounting plate **W3** up and down (along the red line) to position the mounting plate so that it is flush with the sheet above the recess in the door.
5. Mark the locations of the mounting plate holes on the side wall of the door recess.
6. Repeat steps **4** to **5** until all mounting locations have been marked.
7. Remove the template.
8. Drill the mounting holes in **W3** using a special drill bit. Fit mounting plates **W3**. If necessary, the mounting plate should be dogged (or bent) to perfectly match the angle.
9. Apply the organiser to the car body and make sure it adheres correctly. Clean and degrease the surface where reinforcements **W1** and **W2** will be stuck to the bodywork. Peel off the mounting tape and stick **W1** and **W2** to the bodywork (Fig. 7 and Fig. 8).
10. Drill elements **W1** and **W2**.
11. Using the mounting screws, screw the Moon Organizer to the previously installed **W1**, **W2**, **W3**.

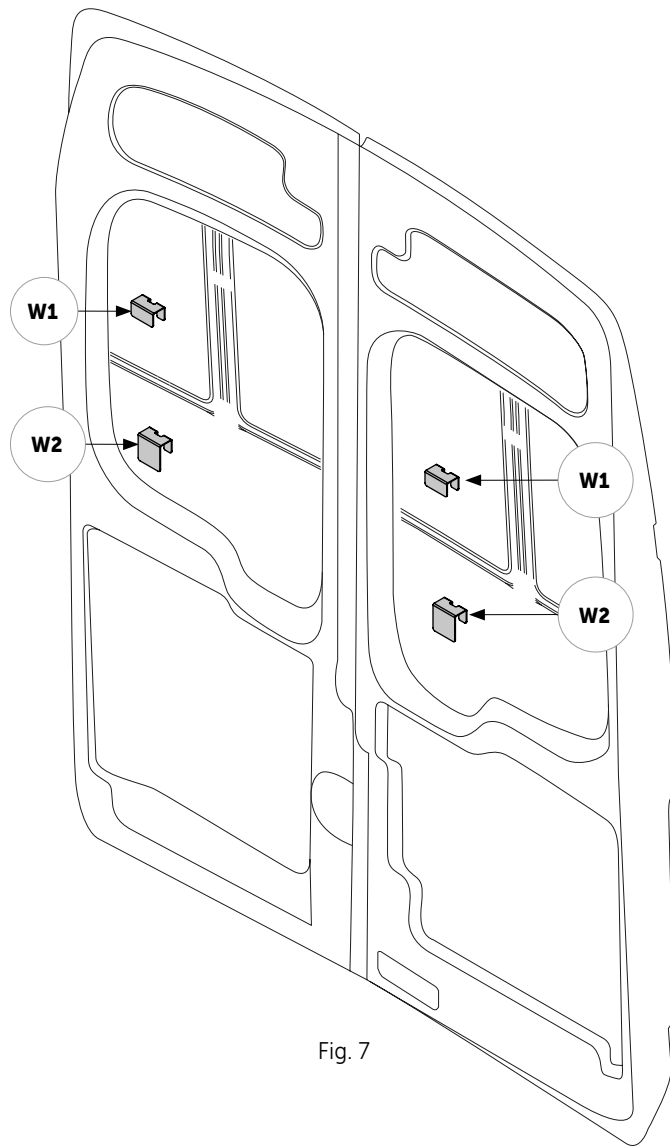


Fig. 7

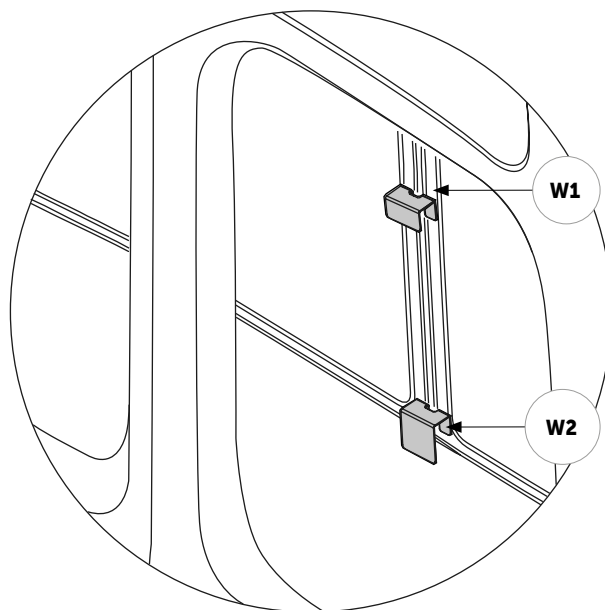
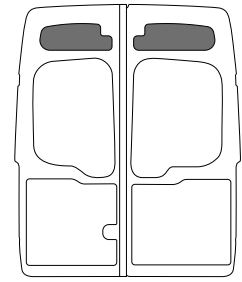
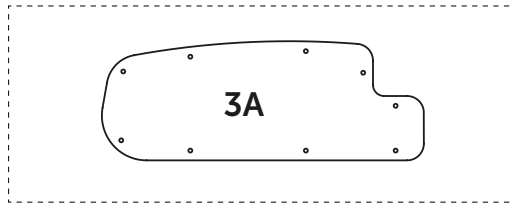


Fig. 8

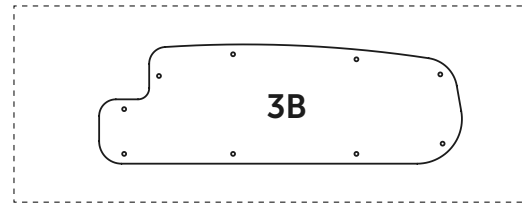
# Assembly of the right and left upper organiser



## Set of elements



Template **3A** 1x

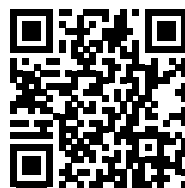


Template **3B** 1x

1. Stick the cut-out template **3A** and/or **3B** to the car body.
2. Mark all mounting hole locations on the bodywork.
3. Remove templates.
4. Drill the mounting holes using a special drill bit.
5. Apply the Moon Organizer and screw it to the bodywork with the appropriate sheet metal screws.

1 mm	0,04 in
1 kg	2,20 lb
1 l	0,26 gal

**Discover other products from the Van Der Moon range**



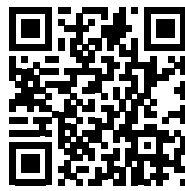
[vandermoon.com](http://vandermoon.com)



[vandermoon.com](http://vandermoon.com)

---

Ver. IM VDM MO FT FWD EN 01/11/2022



**Manufacturer**

Vitberg Sikora Jacek  
ul. Borelowskiego 29  
33-300 Nowy Sącz  
Poland/EU

**Contact**

phone: 48 18 442 33 69  
[shop@vandermoon.com](mailto:shop@vandermoon.com)

Van Der Moon® is a registered trademark of Vitberg Sikora Jacek  
© Vitberg Sikora Jacek – all rights reserved.  
Produced in Poland.

**Vitberg**®

Since 1993, Vitberg has been producing medical devices for rehabilitation, treatment, cosmetology and sport  
Its products are well-known and appreciated.

Medicine and technology are not our only passion, we also love to explore the world.

We have transferred the experience we have gathered over the years into producing accessories for people like us.  
This is how the Van Der Moon brand came into being.