

MOON KITCHEN SOLID M-3

Assemble manual



EN



Live light at
vandermoon.com



Since 1993, Vitberg has been producing medical devices
for rehabilitation, treatment, cosmetology and sports.
Its products are known and appreciated.

Medicine and technology are not our only passion,
we also love exploring the world.

We have translated the experience gained over the years into
the production of accessories for people like us.
This is how the Van Der Moon brand was born.

Made in Poland, EU.
www.vandermoon.com

Contents

Available versions and configurations _____	4
Set of elements _____	6
Assemble manual _____	14
Information on use _____	46

Available **versions** and **configurations**

	MODEL	UWAGI
	Model 3 (KM3)	
DIMENSIONS	width	1200 mm
	height	900 mm
	depth	490 mm
VERSION	Shell version without fronts, without worktop, with recess	●
	Front version with fronts, without worktop, with recess	●
	Drawer version with low under-counter drawer	●
OTHER	Countertop worktop for the selected model	●
	Countertop with sink worktop with sink, on the right or left side	●
	when installing the cooker	●
		cannot be combined with Drawer version
COMPATIBILITY WITH REFRIGERATOR MODEL	Dometic RC104T 70L	●
	Dometic CFX5 55L	-
	Yolco RL85	●
	Indel B Slim70L	●
	Dometic 10.4 70L	●

Model 3 **Shell**



Model 3 **Front**



Model 3 **Shell** **Drawer**



Model 3 **Front** **Drawer**

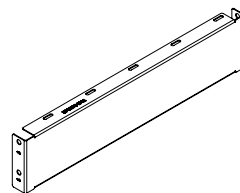
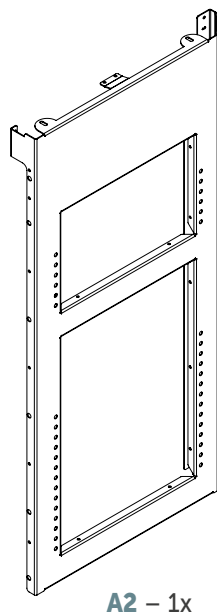
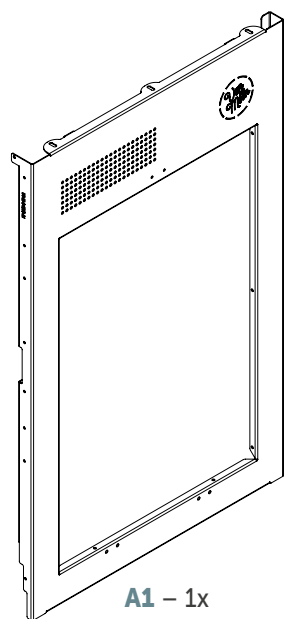


Model 3 **Front** **Drawer** **Countertop**

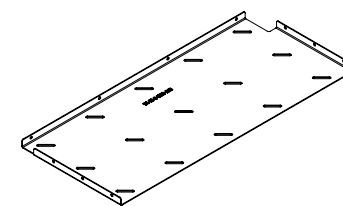
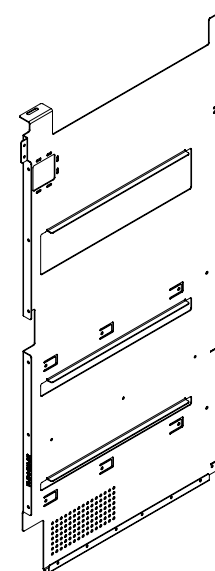
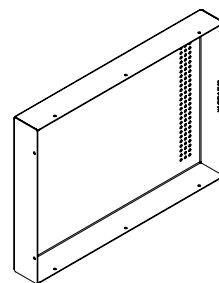
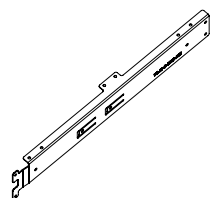
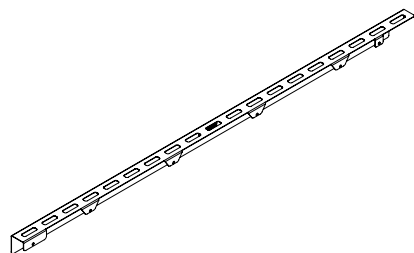
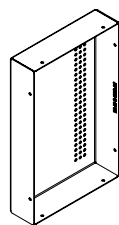
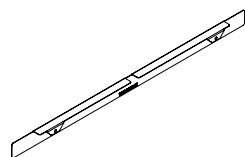
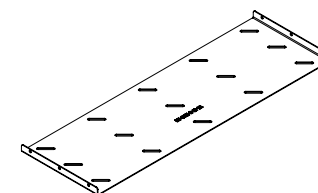
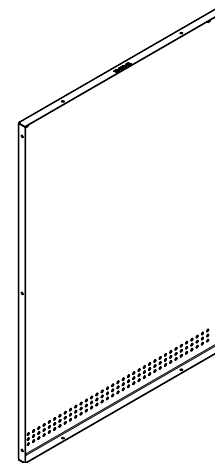


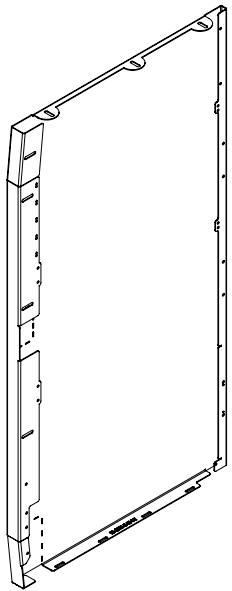
Model 3 **Front** **Drawer** **Countertop with sink**



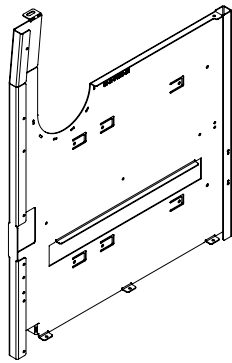


Shell Front





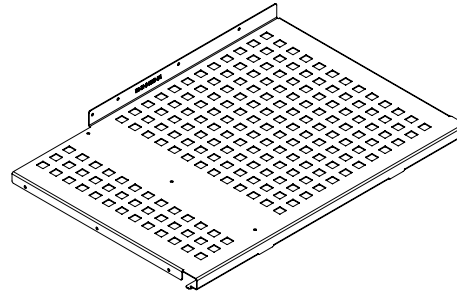
B1 - 1x



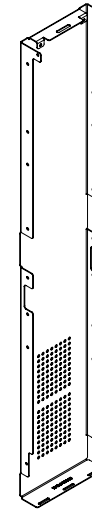
B2 - 1x



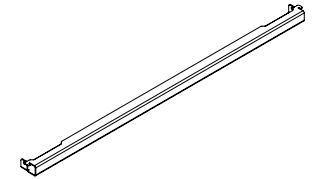
B3 - 1x



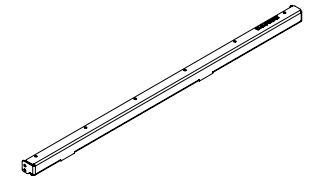
B4 - 1x



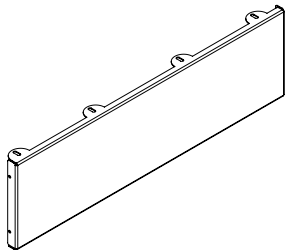
B5 - 1x



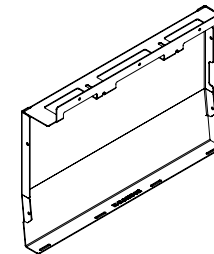
B6 - 1x



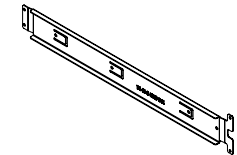
B7 - 1x



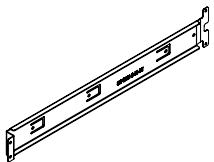
B8 - 1x



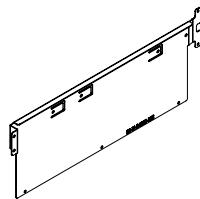
B12 - 1x



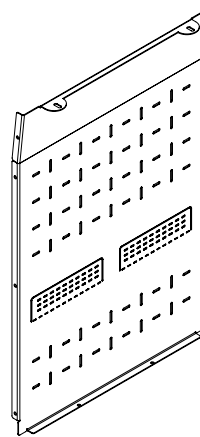
B14 - 1x



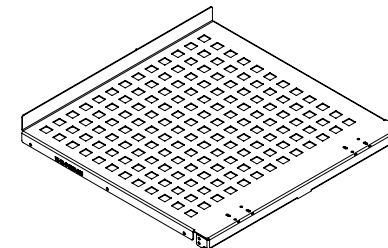
B9 - 1x



B10 - 2x



B11 - 1x

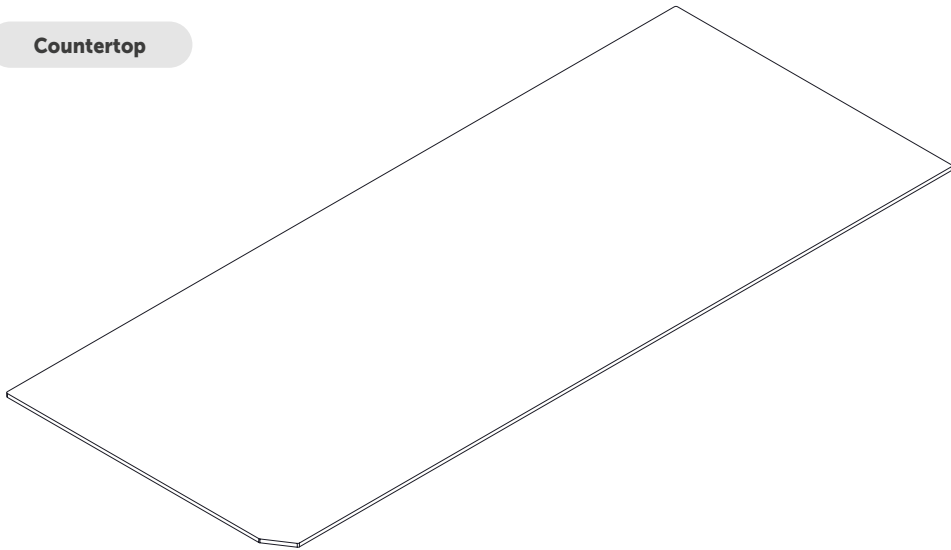


B13 - 1x

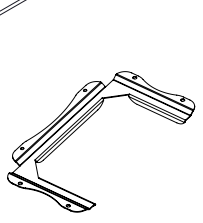
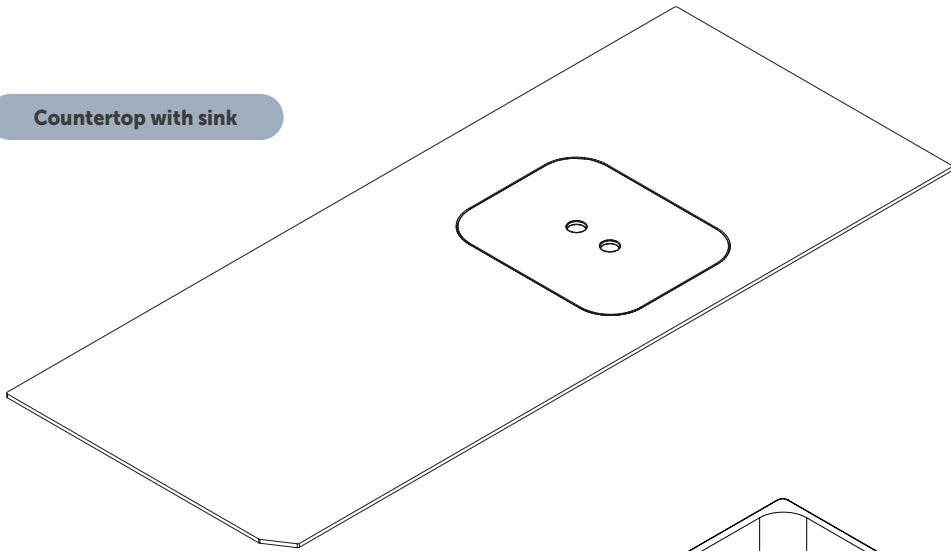


B30 - 1x

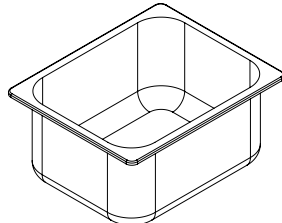
Countertop



Countertop with sink

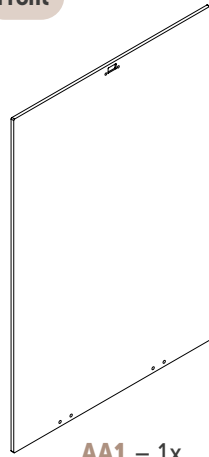


sink mounting
2x

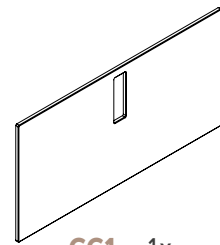


sink
1x

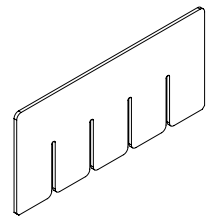
Front



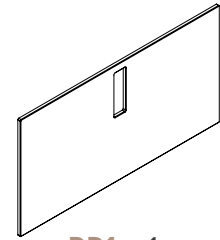
AA1 - 1x



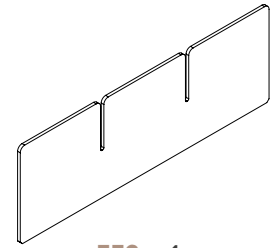
CC1 - 1x



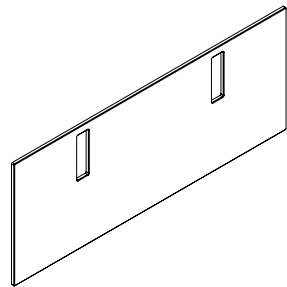
EE3 - 1x



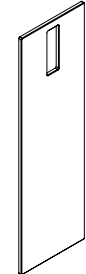
DD1 - 1x



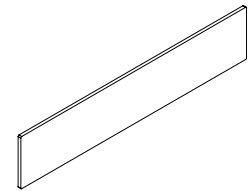
EE2 - 1x



EE1 - 1x



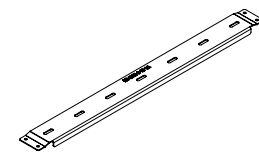
FF1 - 1x



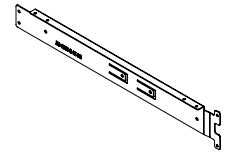
HH1 - 1x

Front Drawer

Drawer



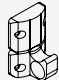
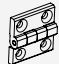

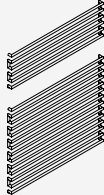



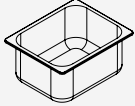
H5 - 2x
















H4 - 1x

Set of elements – accessories

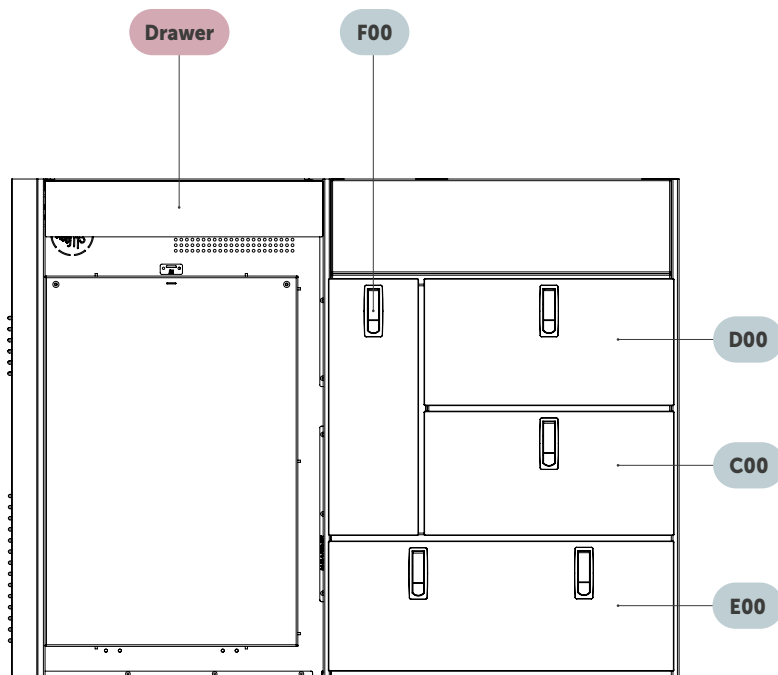
DRAWER VERSION

		Type	Name	Quantity	
SHELL VERSION		Elesa Ganter	Snap closure	1 pcs	1 pcs
		Elesa Ganter	Hinge	2 pcs	2 pcs
		black	Rubber foot (buffer)	2 pcs	2 pcs
		5mm, black	Elastic cord	6,4 m	6,4 m
		5mm, colour			
		diameter 5,5mm	Plastic end piece for elastic cord	8 pcs	8 pcs
	15mm, black	Webbing carrier tape	1 m	1 m	
FRONT VERSION		metallic, black	Lever lock	5 pcs	5 pcs
COUNTERTOP WITH SINK VERSION		260x320x150mm, stainless	Rectangular sink	1 pcs	1 pcs

Lever lock included in the set, fits **6 mm** thick worktops.

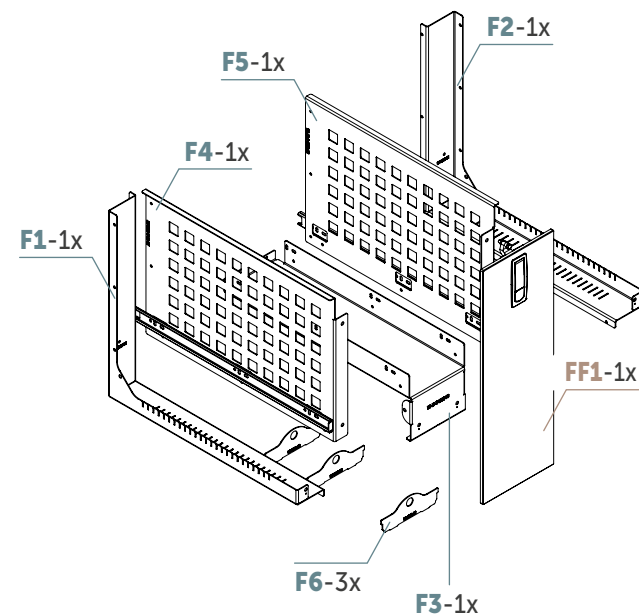
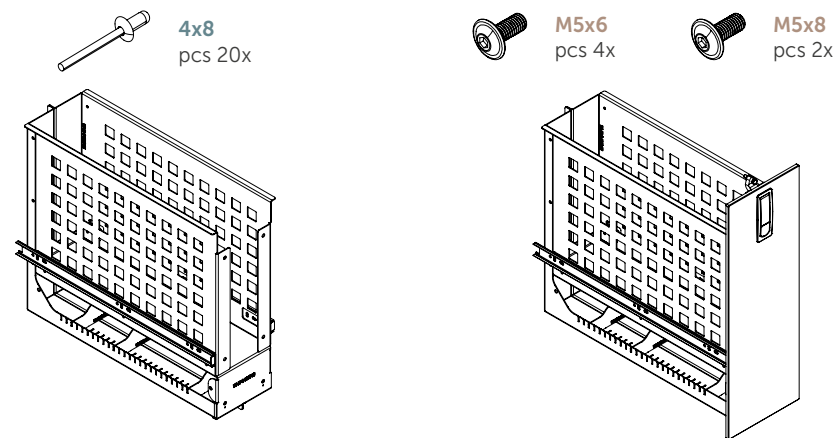
		Type	Name	Quantity	
SHELL VERSION		M4	Self-locking nut with flange	2 pcs	2 pcs
		M5x14, black allen	Taper screw	4 pcs	4 pcs
		M5	Self-locking nut with flange	14 pcs	14 pcs
		M5x10, black galvanise	Washer screw	10 pcs	10 pcs
		4x8, aluminium-steel	breakaway rivet	206 pcs	214 pcs
		M5x6, black allen	breakaway rivet	23 pcs	23 pcs
		M5x16, black allen	Taper screw	4 pcs	4 pcs
		M5, black	Cap nut	4 pcs	4 pcs
		M4, black	Cap nut	2 pcs	2 pcs
		M4x16	Taper screw	4 pcs	4 pcs
		M5x8, black allen	breakaway rivet	2 pcs	6 pcs
COUNTERTOP VERSION		M5x6	Washer screw	21 pcs	21 pcs
COUNTERTOP WITH SINK VERSION		M5x6	Washer screw	12 pcs	12 pcs

Drawer – F00



Shell version

Front version



Drawer – C00

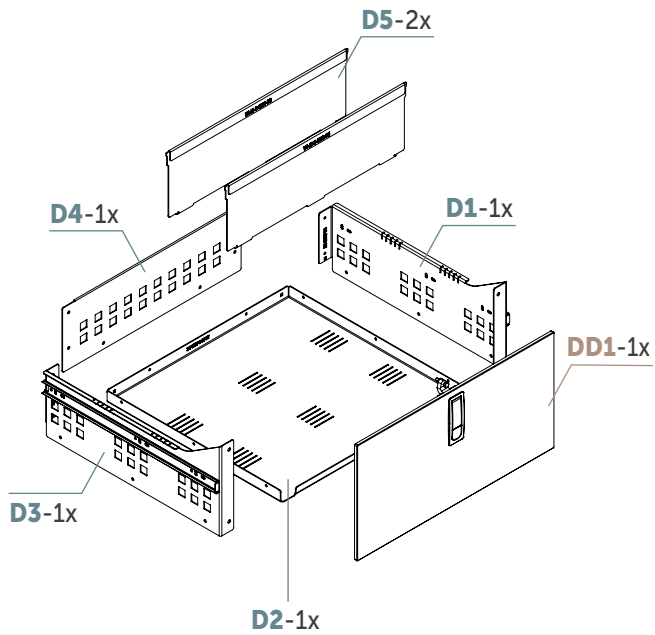
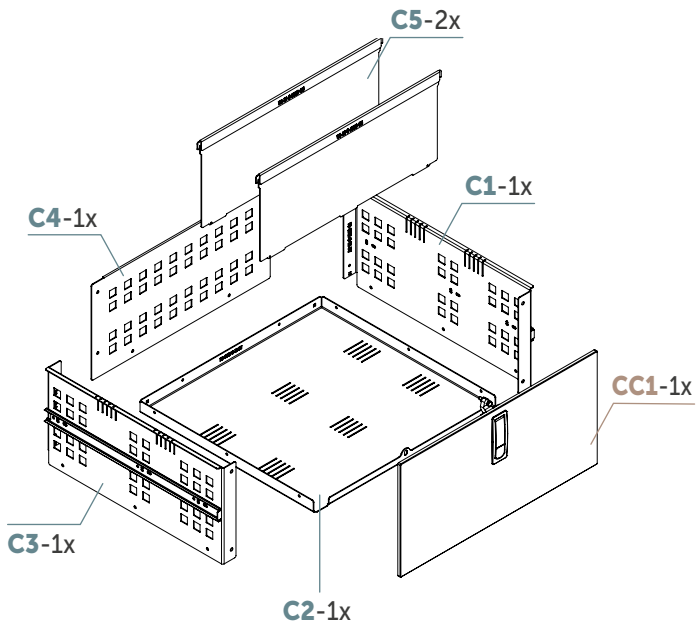
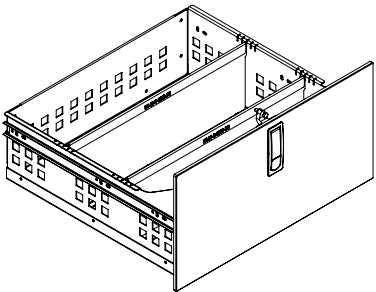
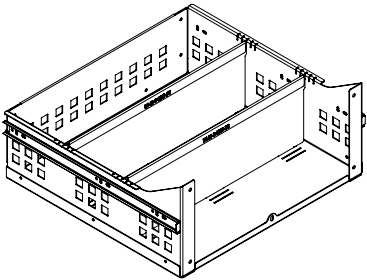
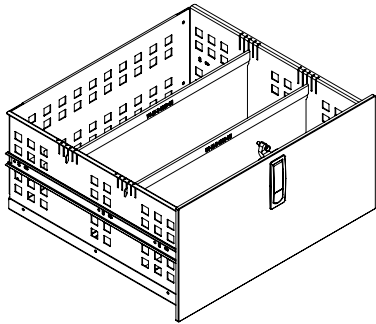
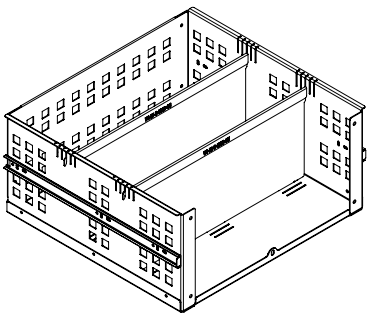
Drawer – D00

Shell version

Front version

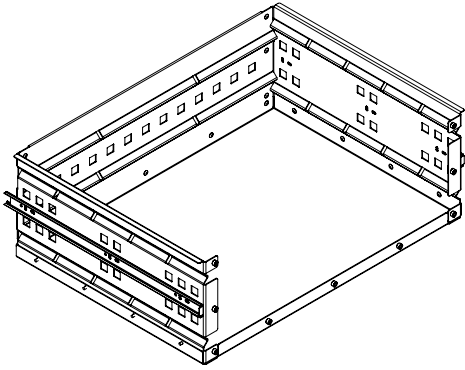
Shell version

Front version

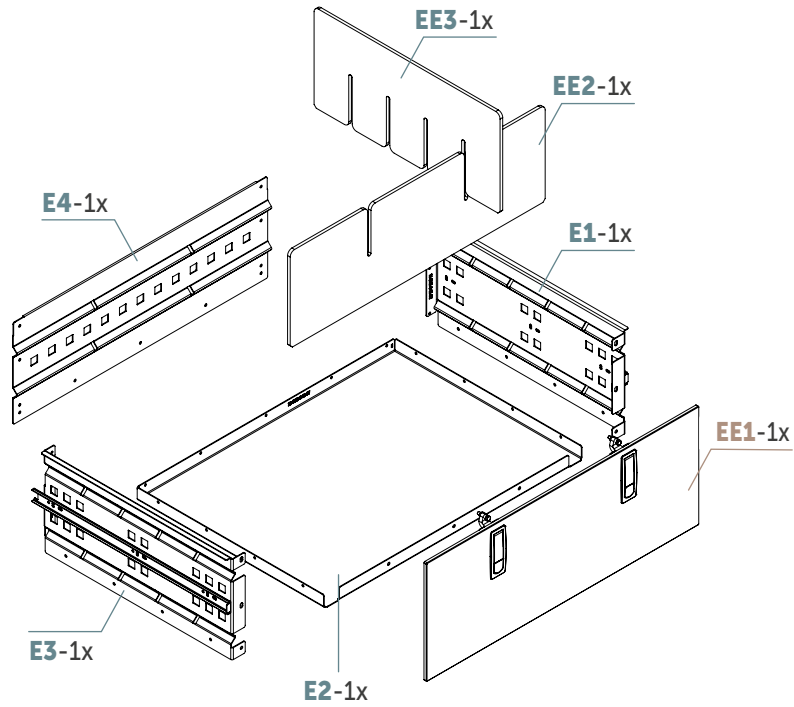
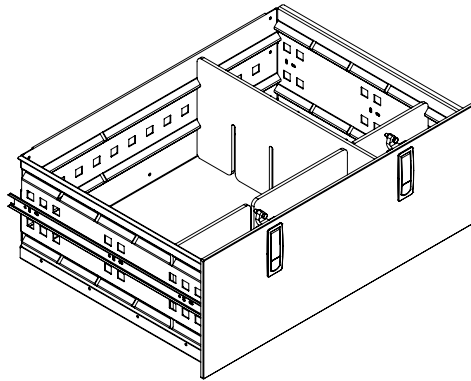


Drawer – E00

Shell version

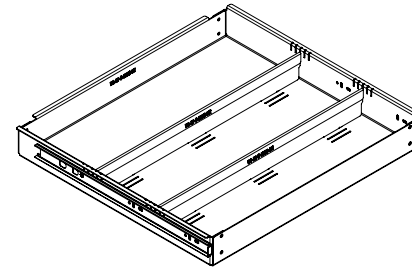


Front version

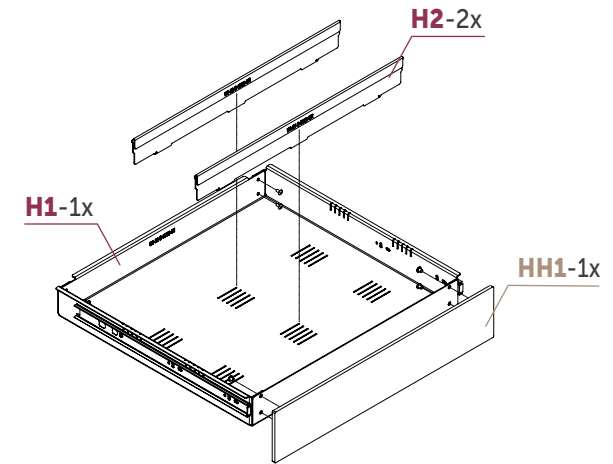
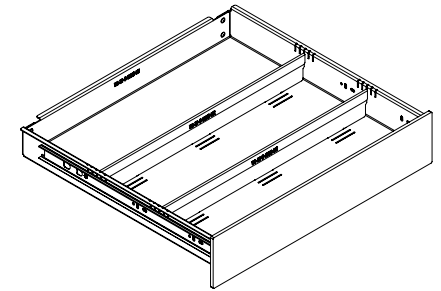


Drawer – HH0 version

Drawer version



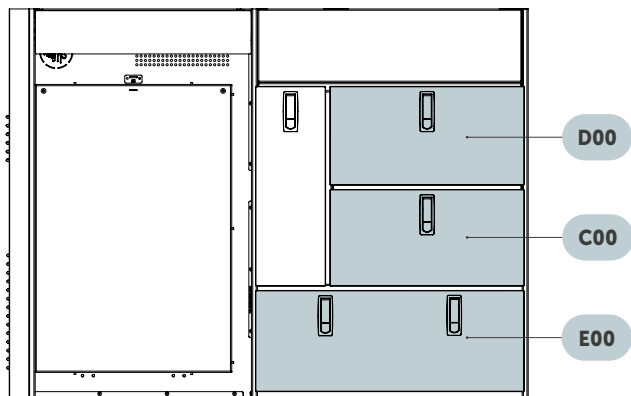
Front version



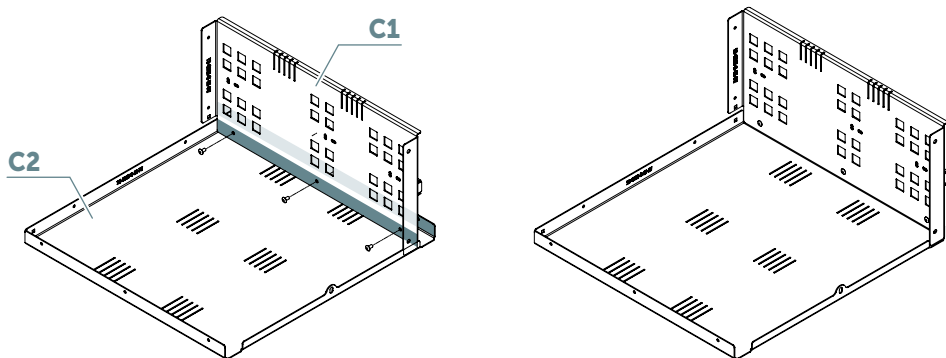
Drawers installation **C00, D00, E00**



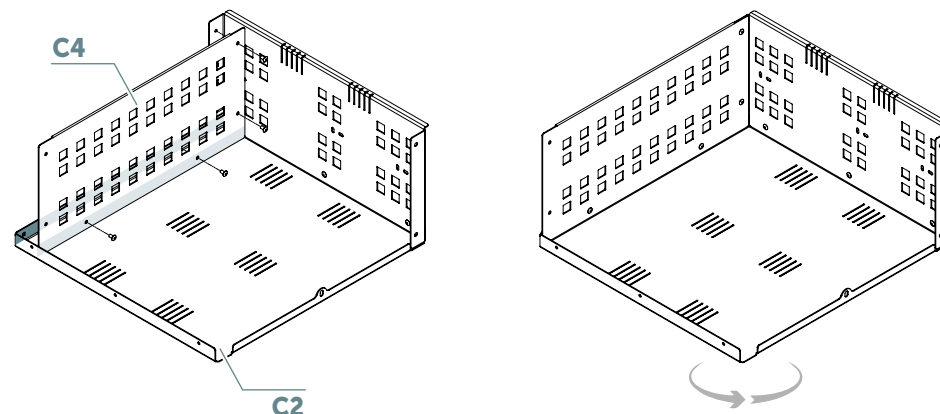
the drawings show a model **C00**



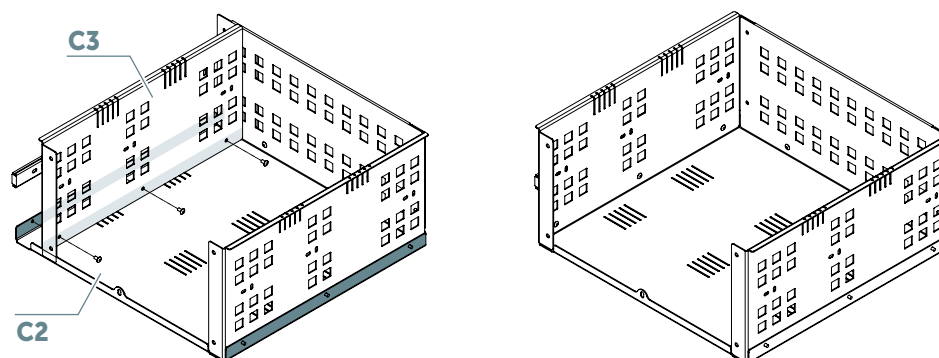
Step C-1



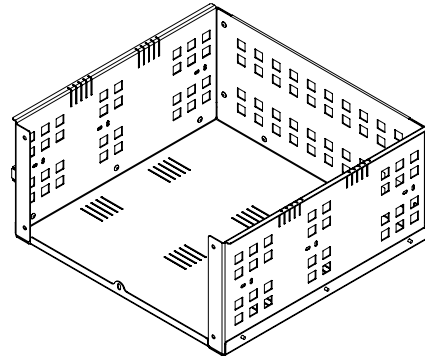
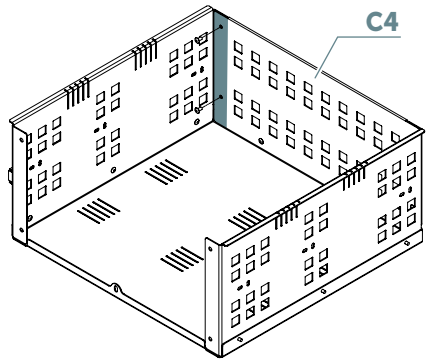
Step C-2



Step C-3



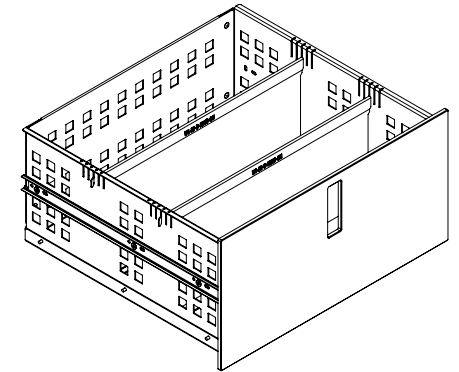
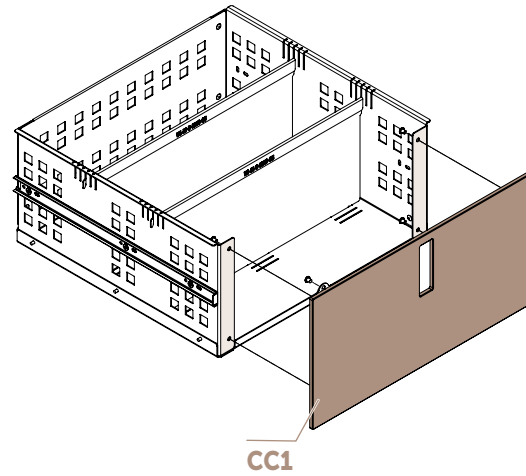
Step C-4



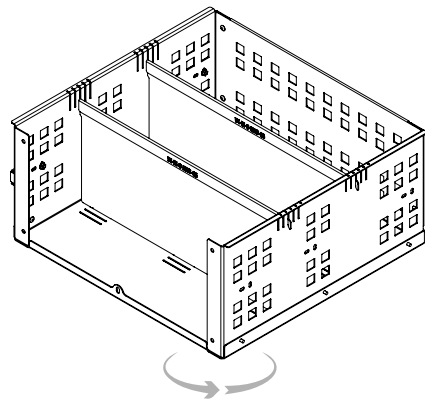
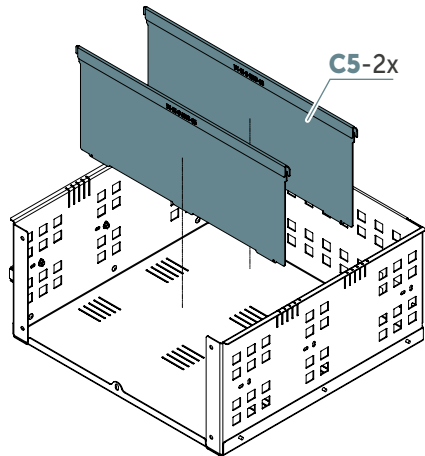
Step C-6



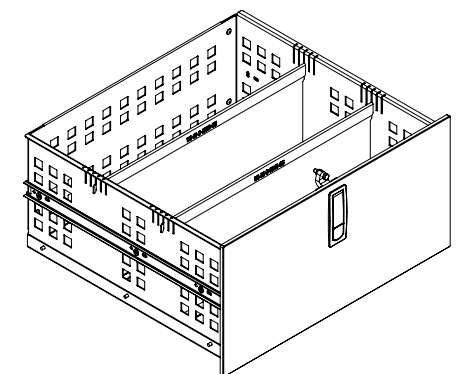
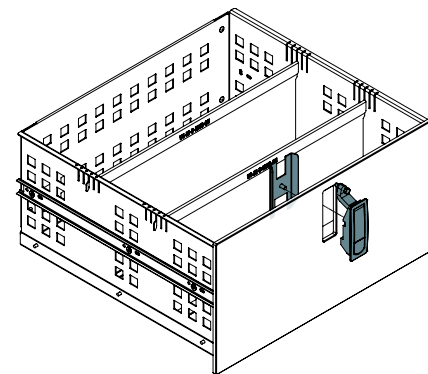
EN



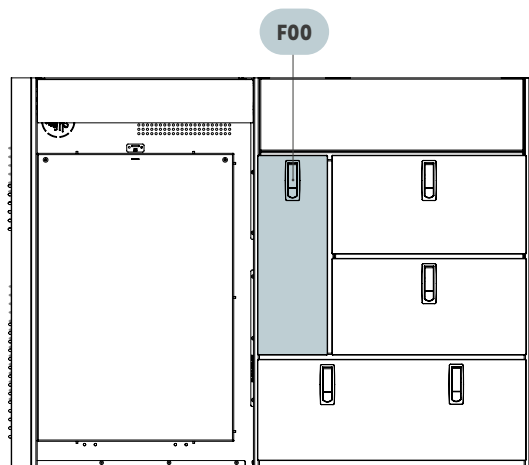
Step C-5



Step C-7



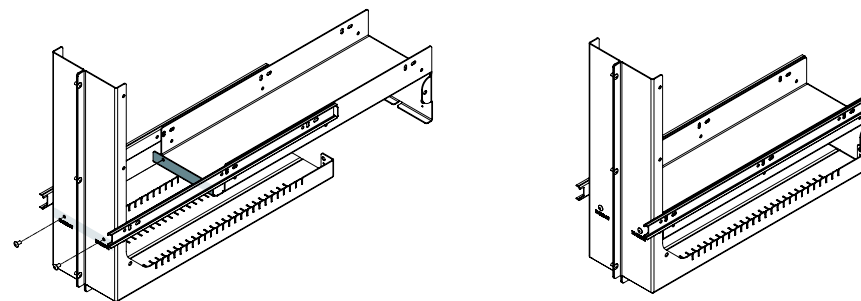
Drawer installation **F00**



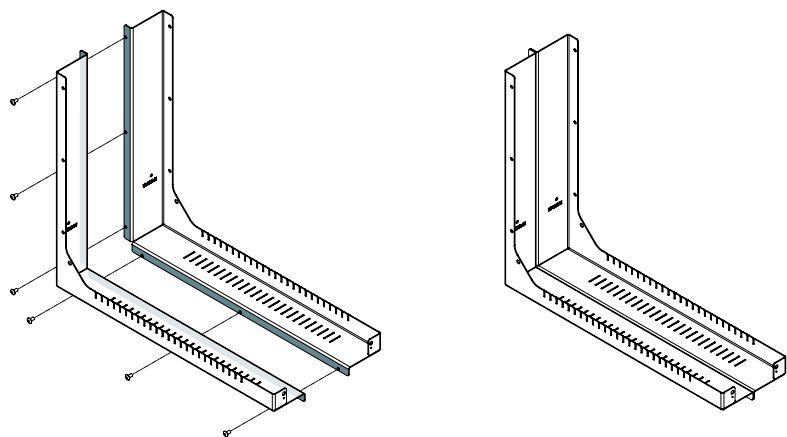
Step F-2



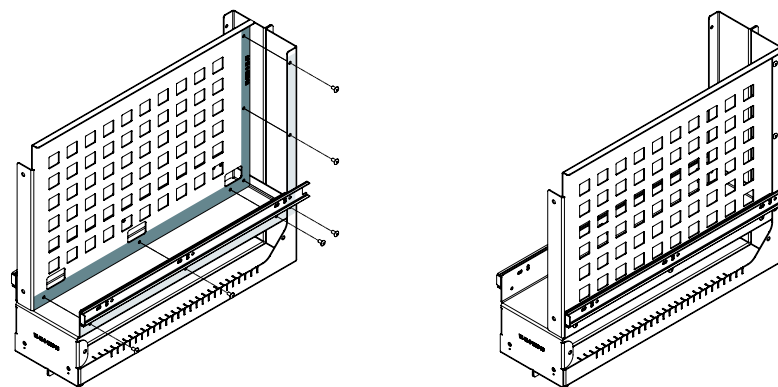
EN



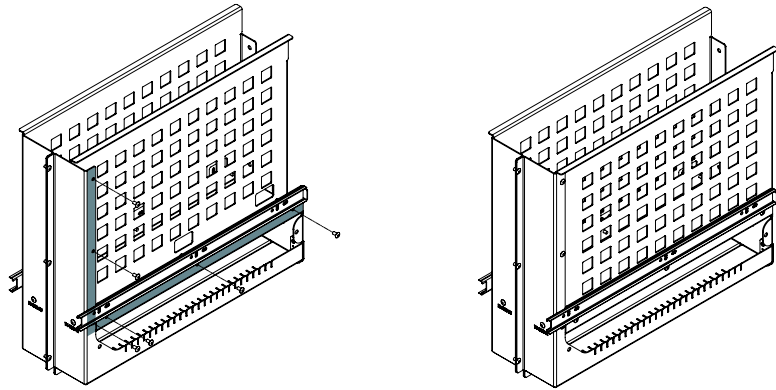
Step F-1



Step F-3



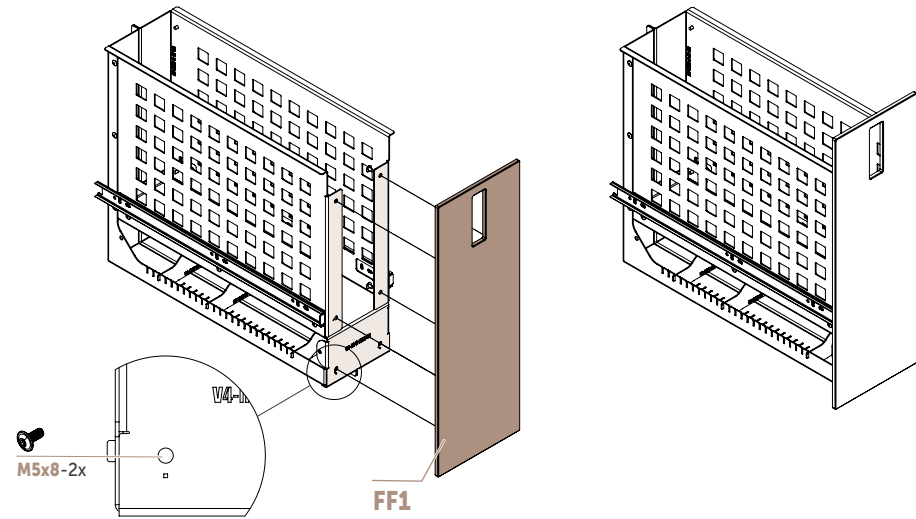
Step F-4



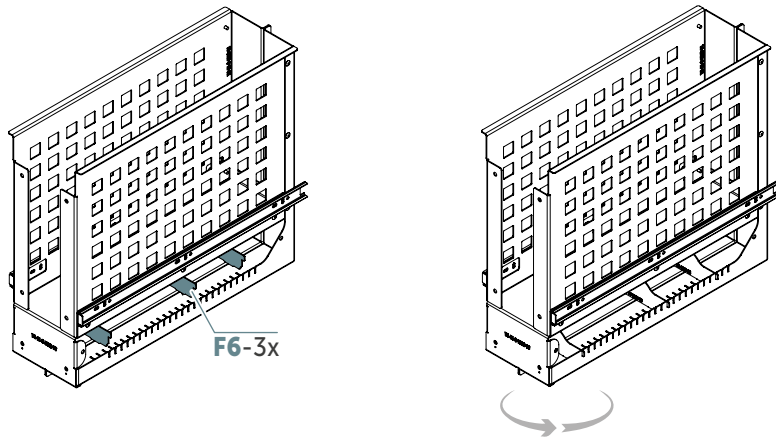
Step F-6



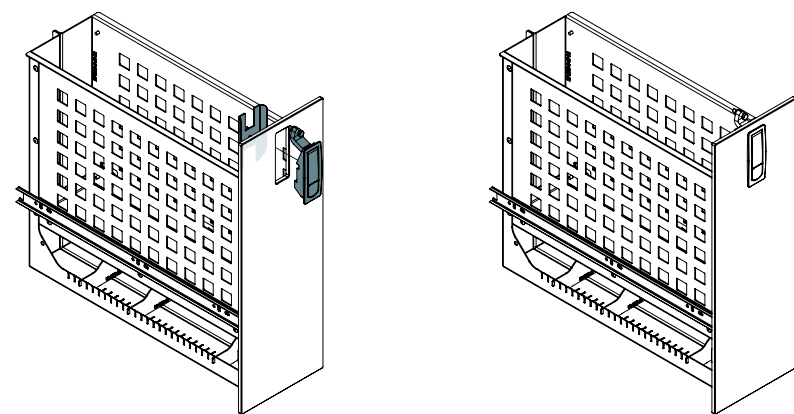
EN



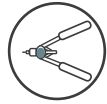
Step F-5



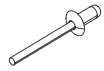
Step F-7



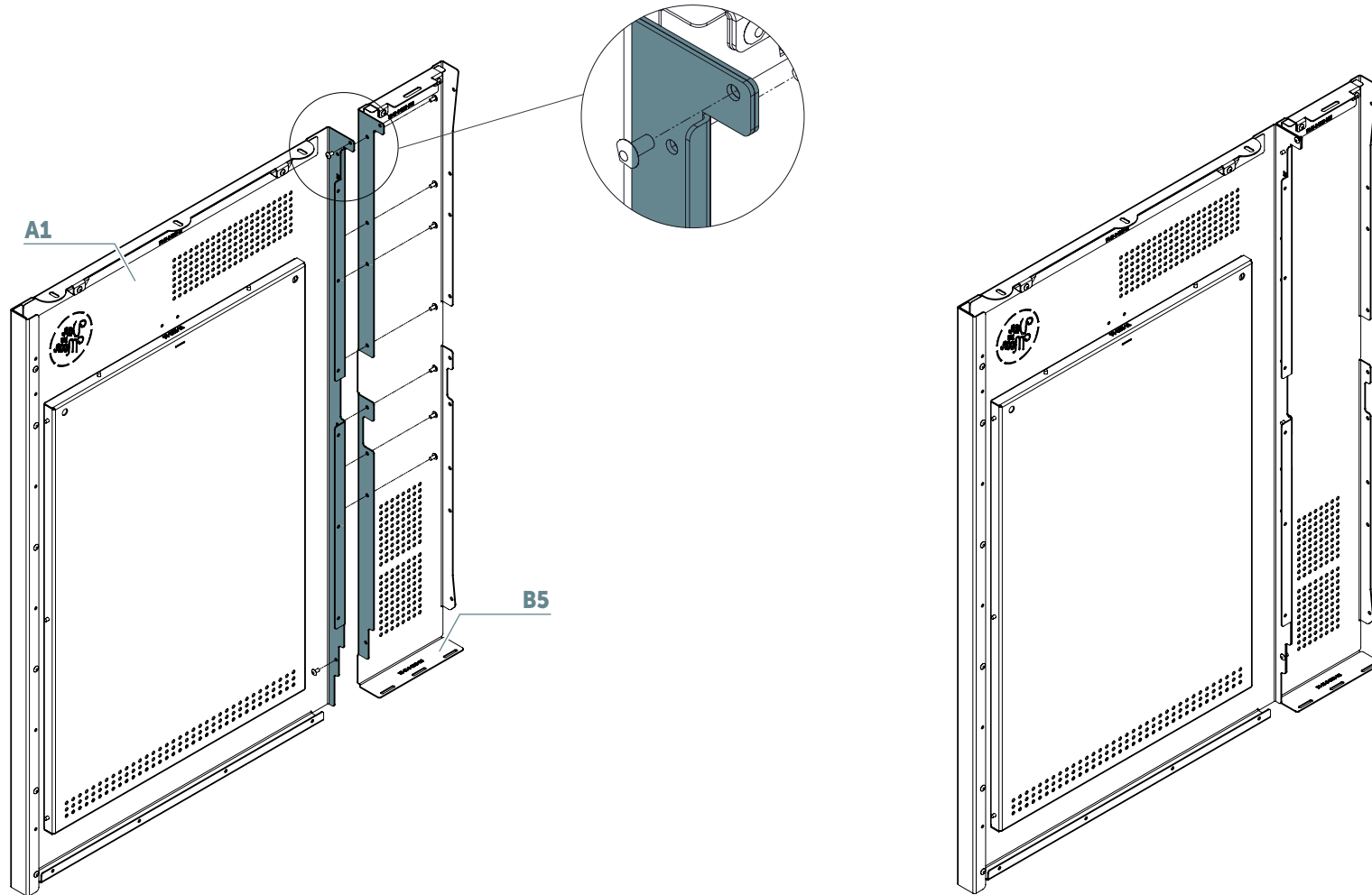
Step 1



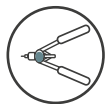
Rivet nut tool



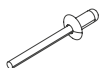
4x8
pcs 9x



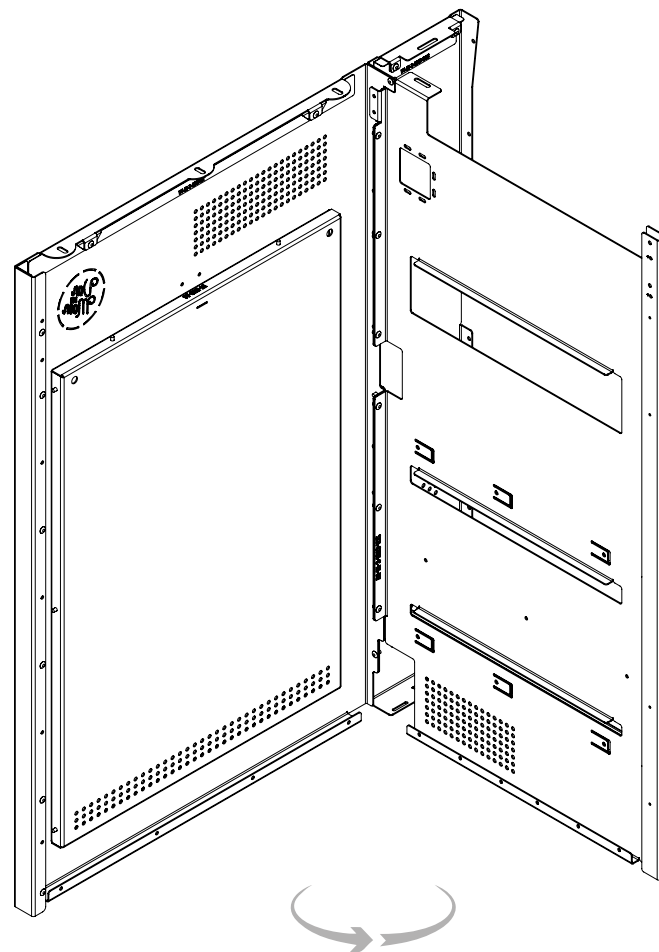
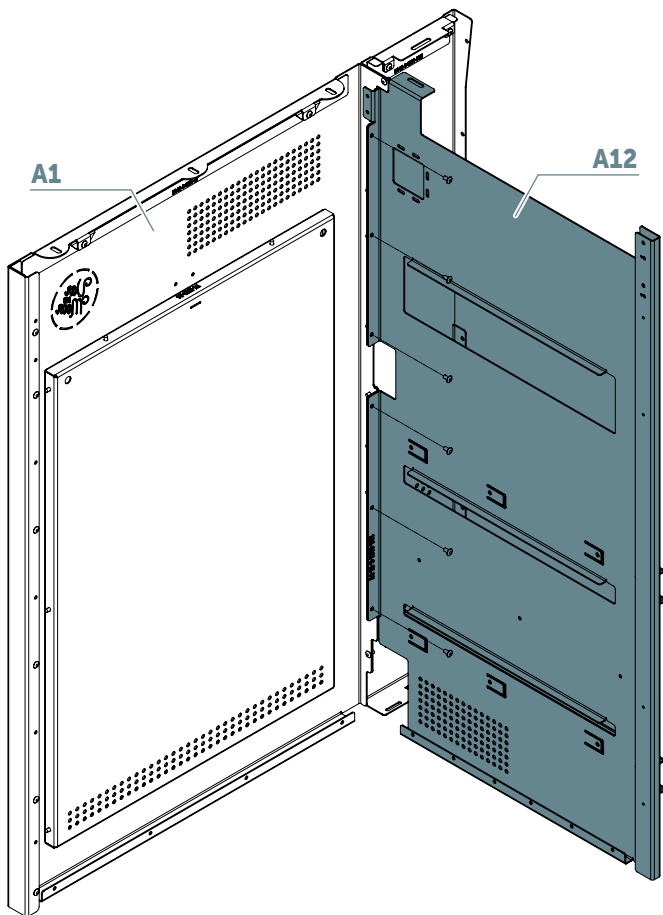
Step 2



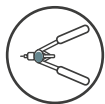
Rivet nut tool



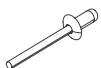
4x8
pcs 6x



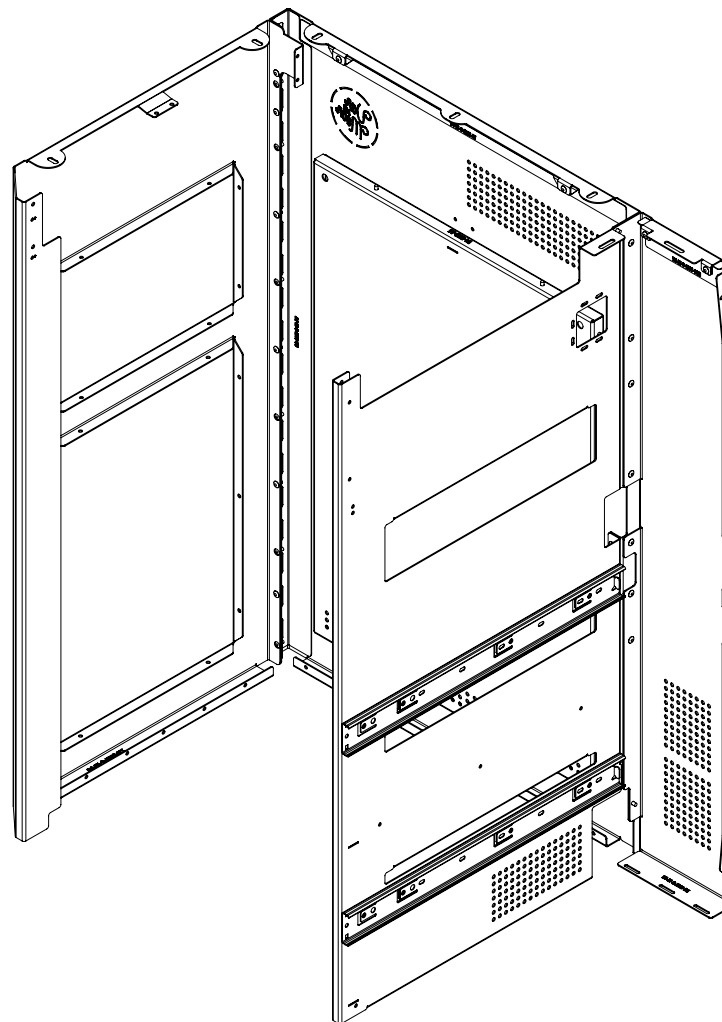
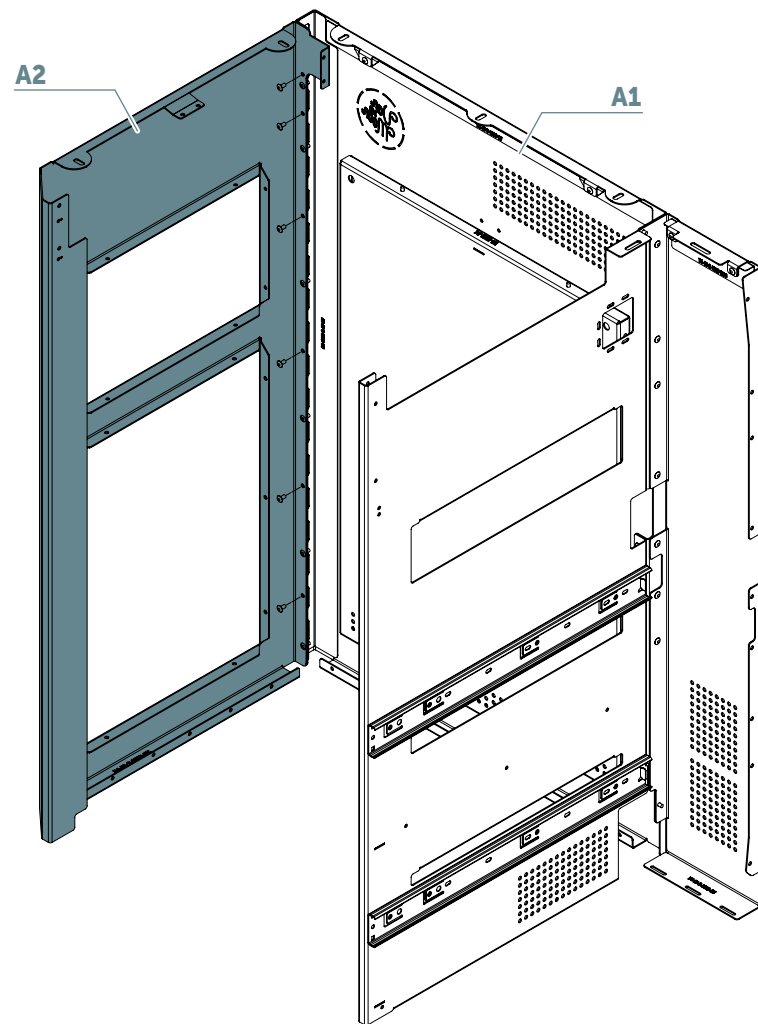
Step 3



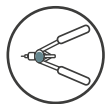
Rivet nut tool



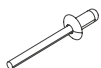
4x8
pcs 6x



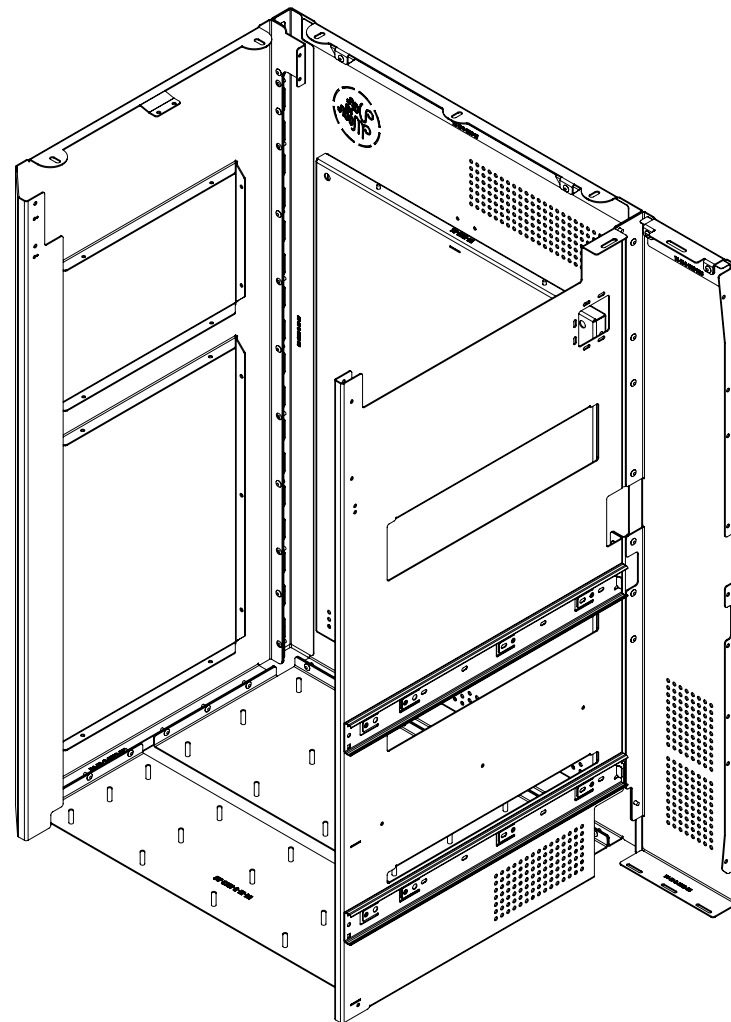
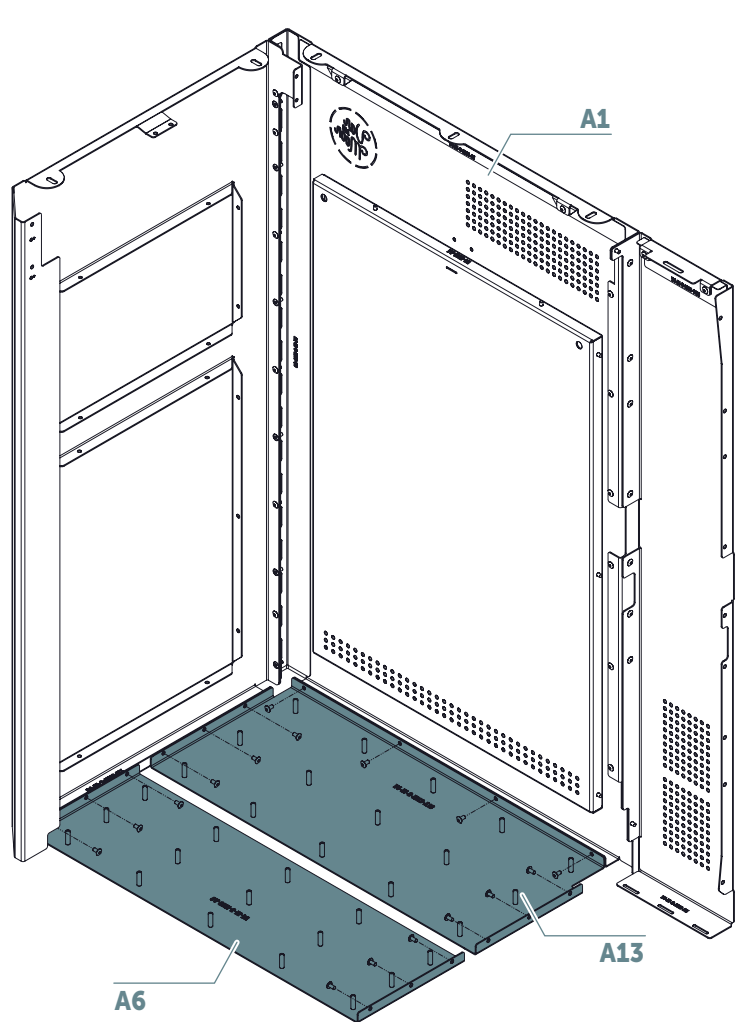
Step 4



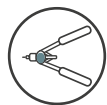
Rivet nut tool



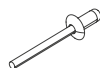
4x8
pcs 16x



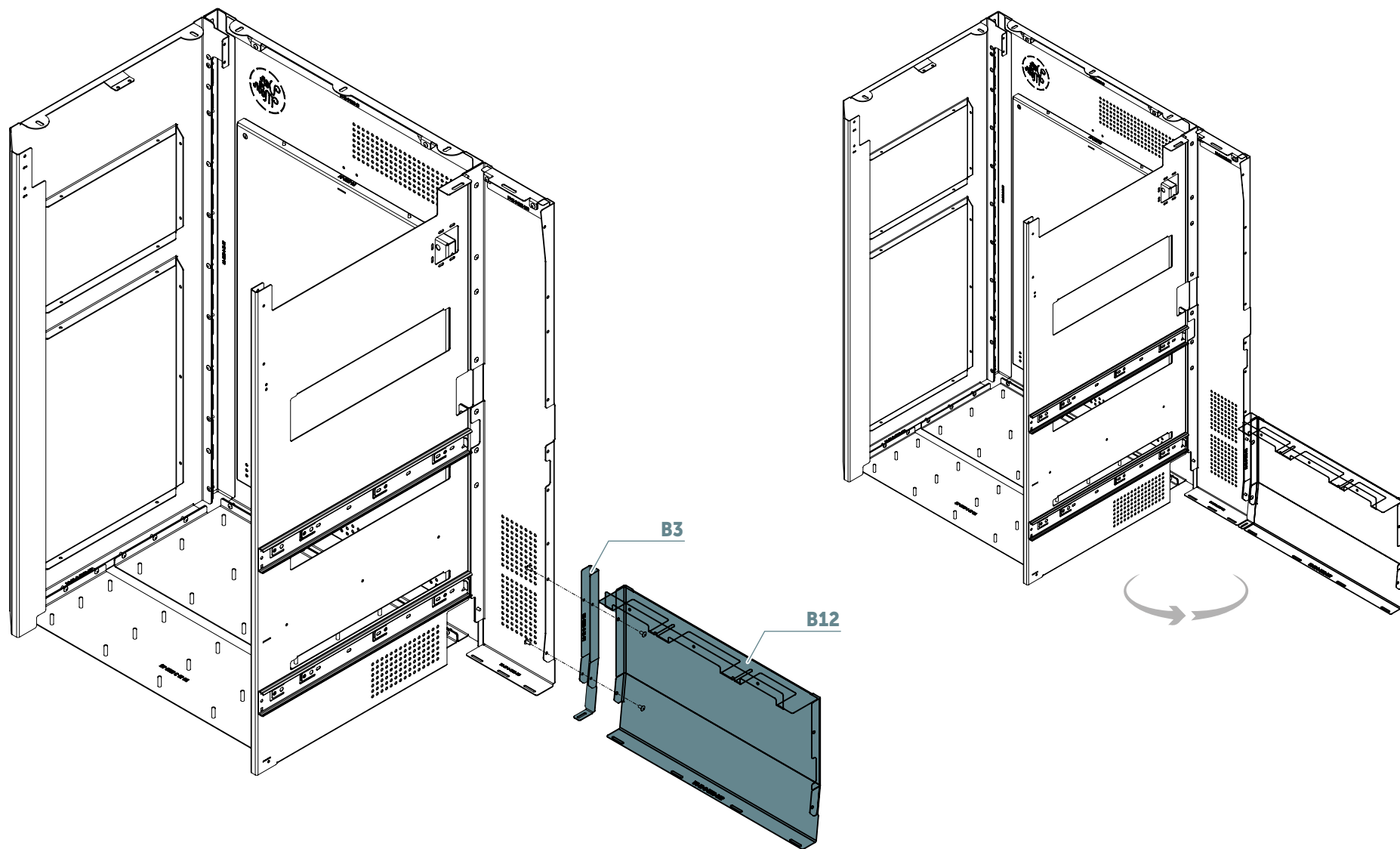
Step 5



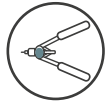
Rivet nut tool



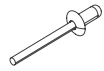
4x8
pcs 4x



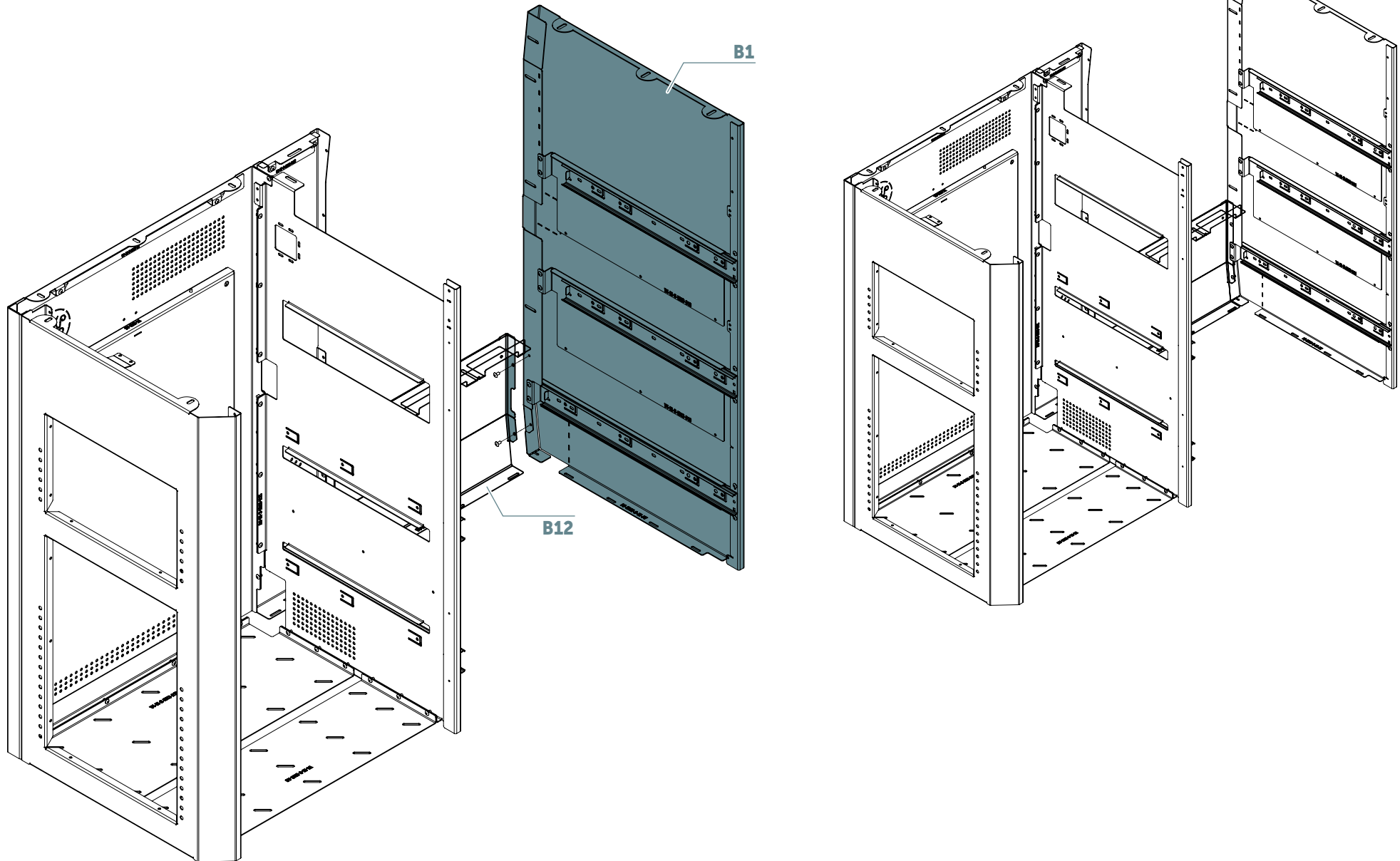
Step 6



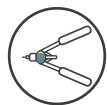
Rivet nut tool



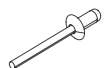
4x8
pcs 2x



Step 7

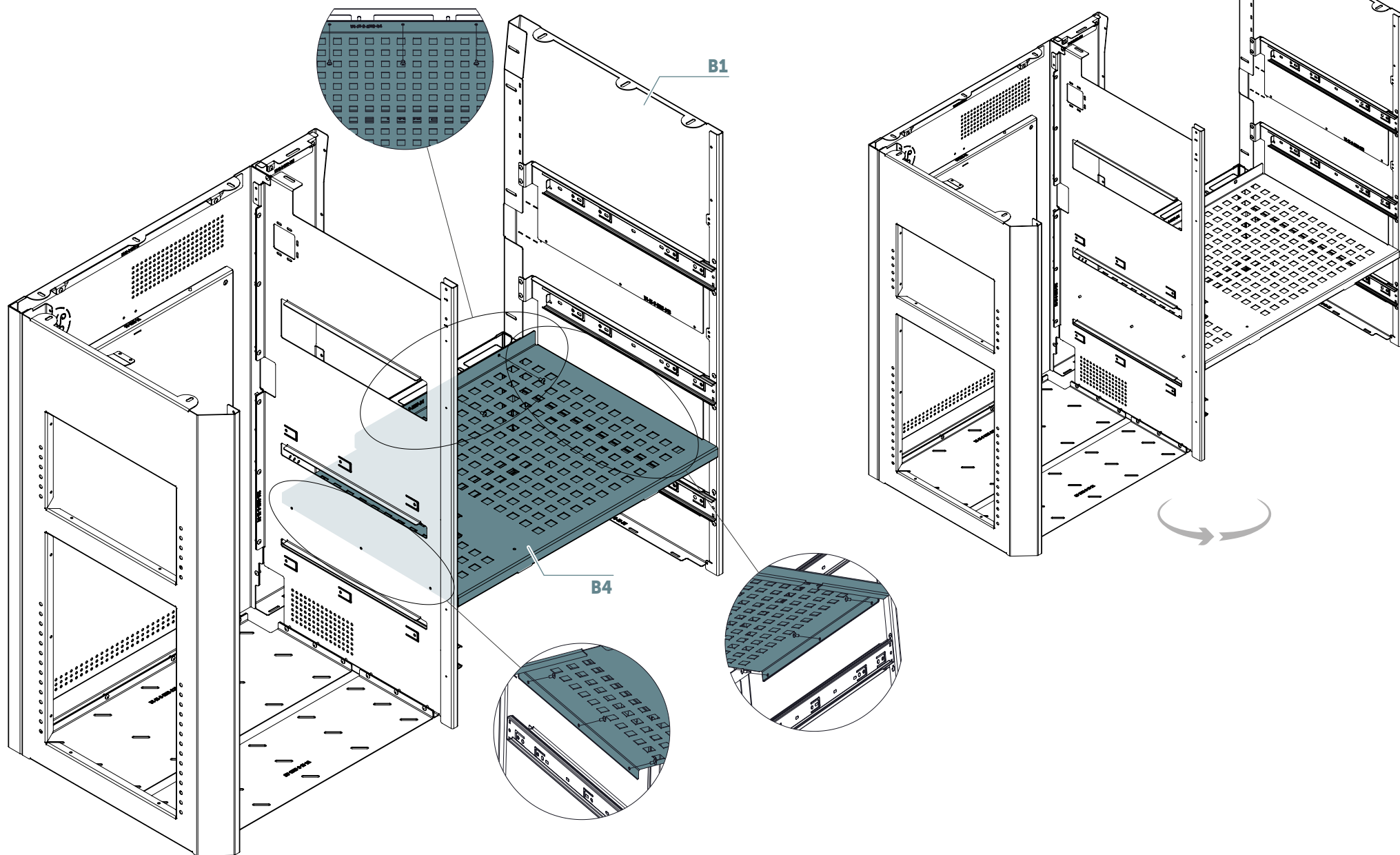


Rivet nut tool

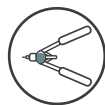


4x8
pcs 9x

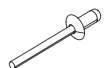
EN



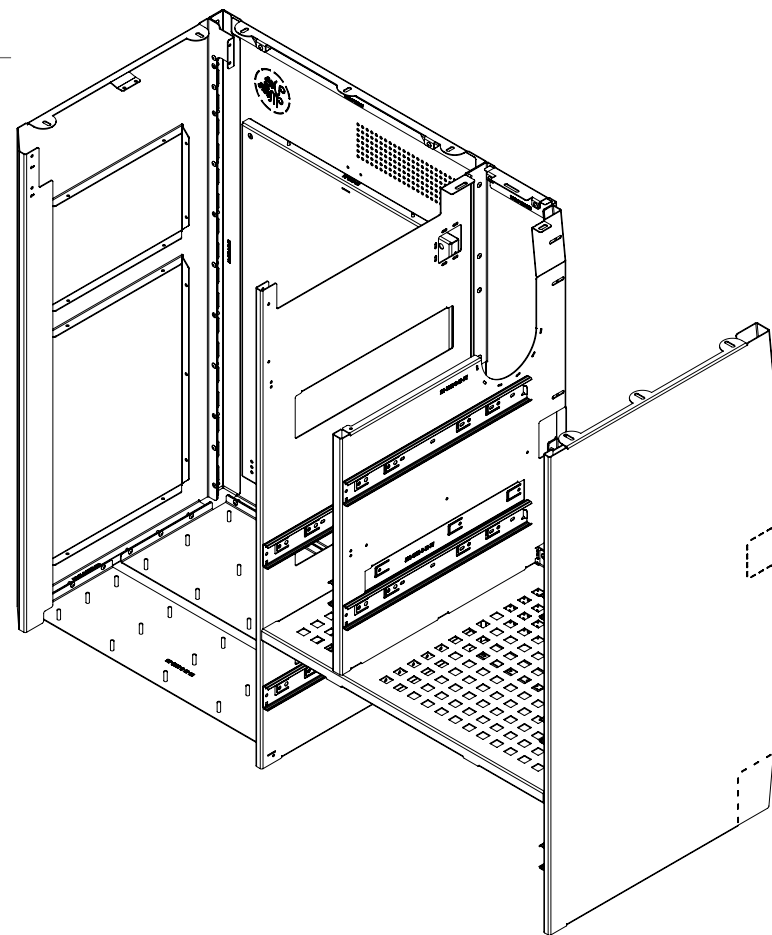
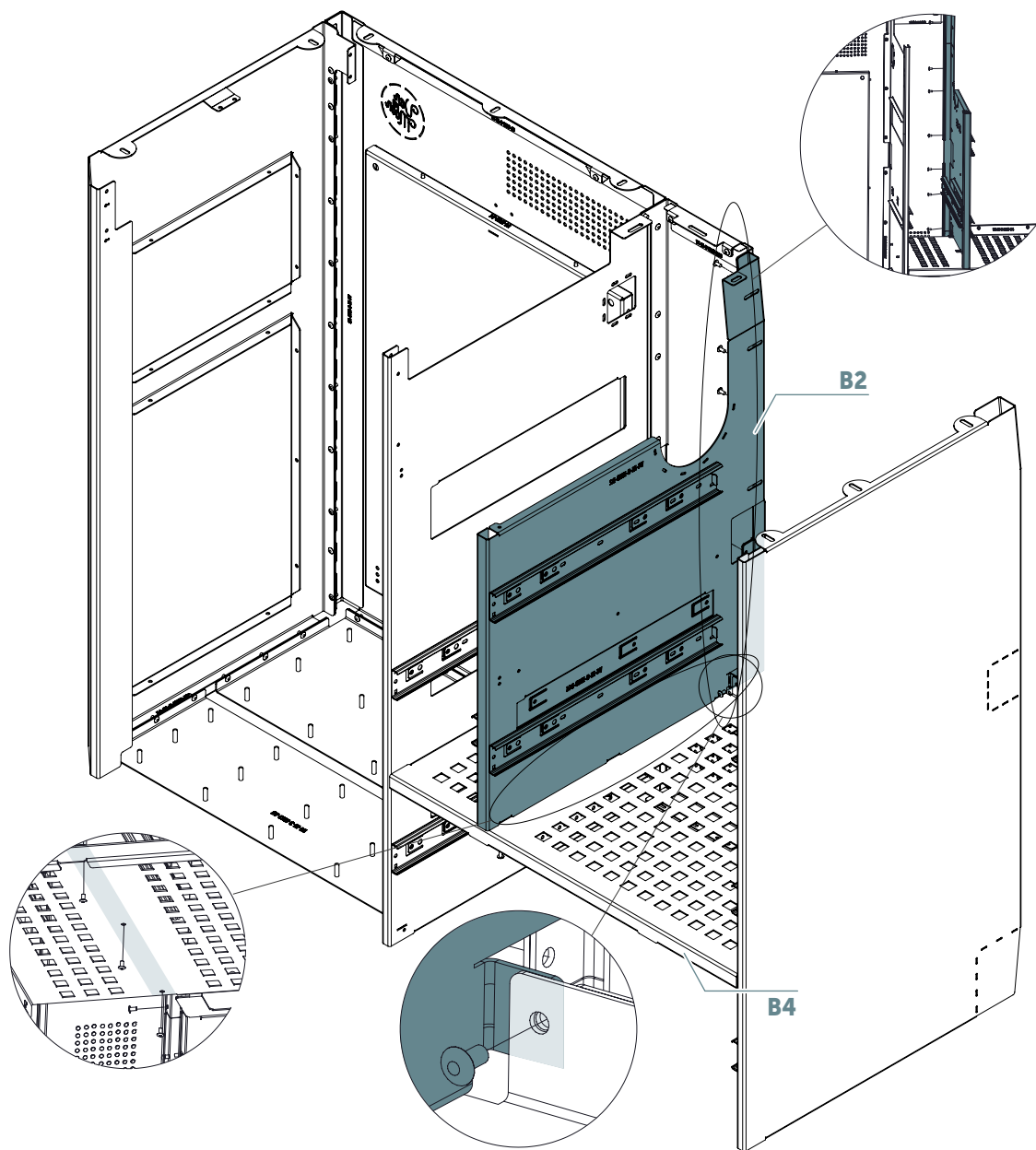
Step 8



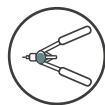
Rivet nut tool



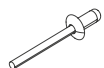
4x8
pcs 11x



Step 9

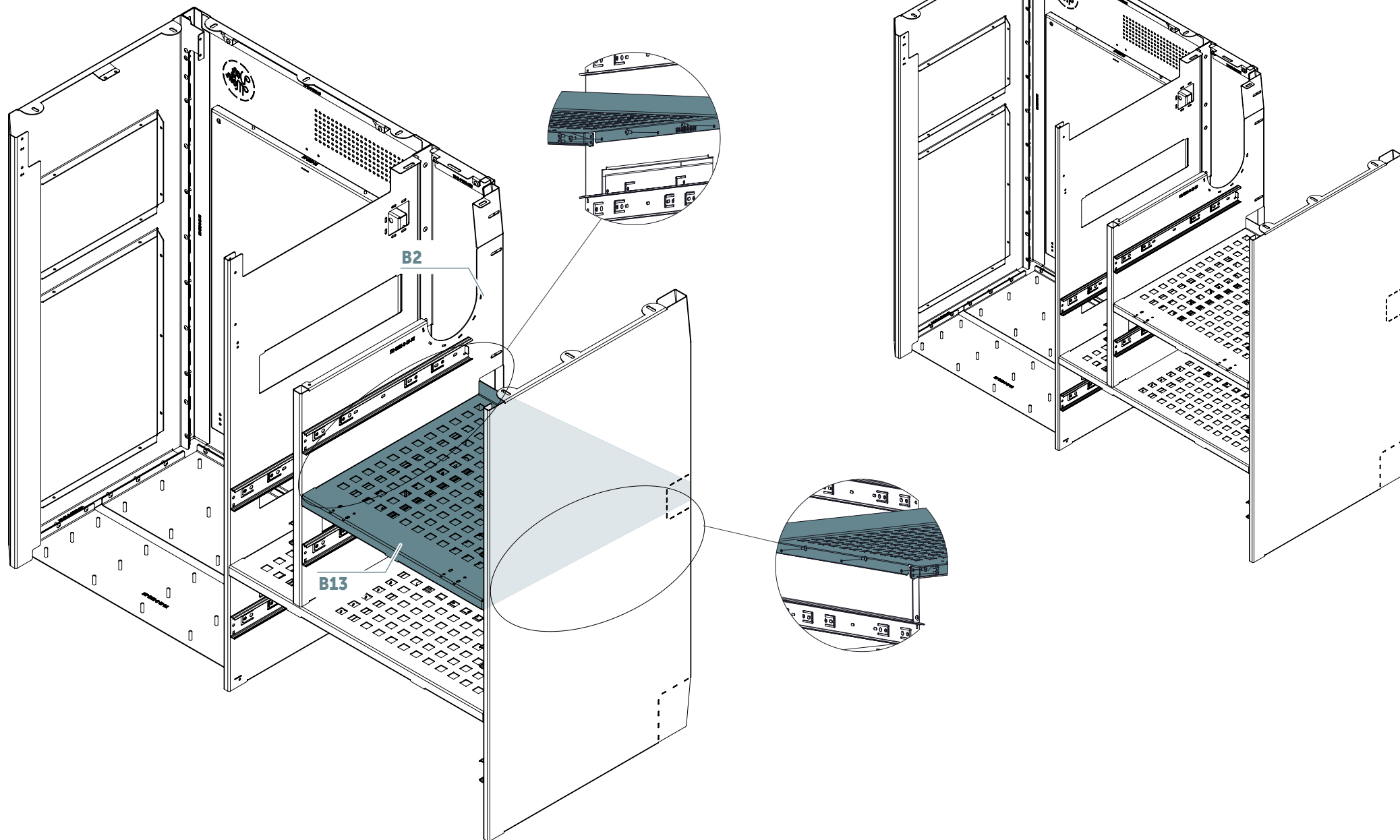


Rivet nut tool

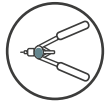


4x8
pcs 6x

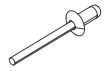
EN



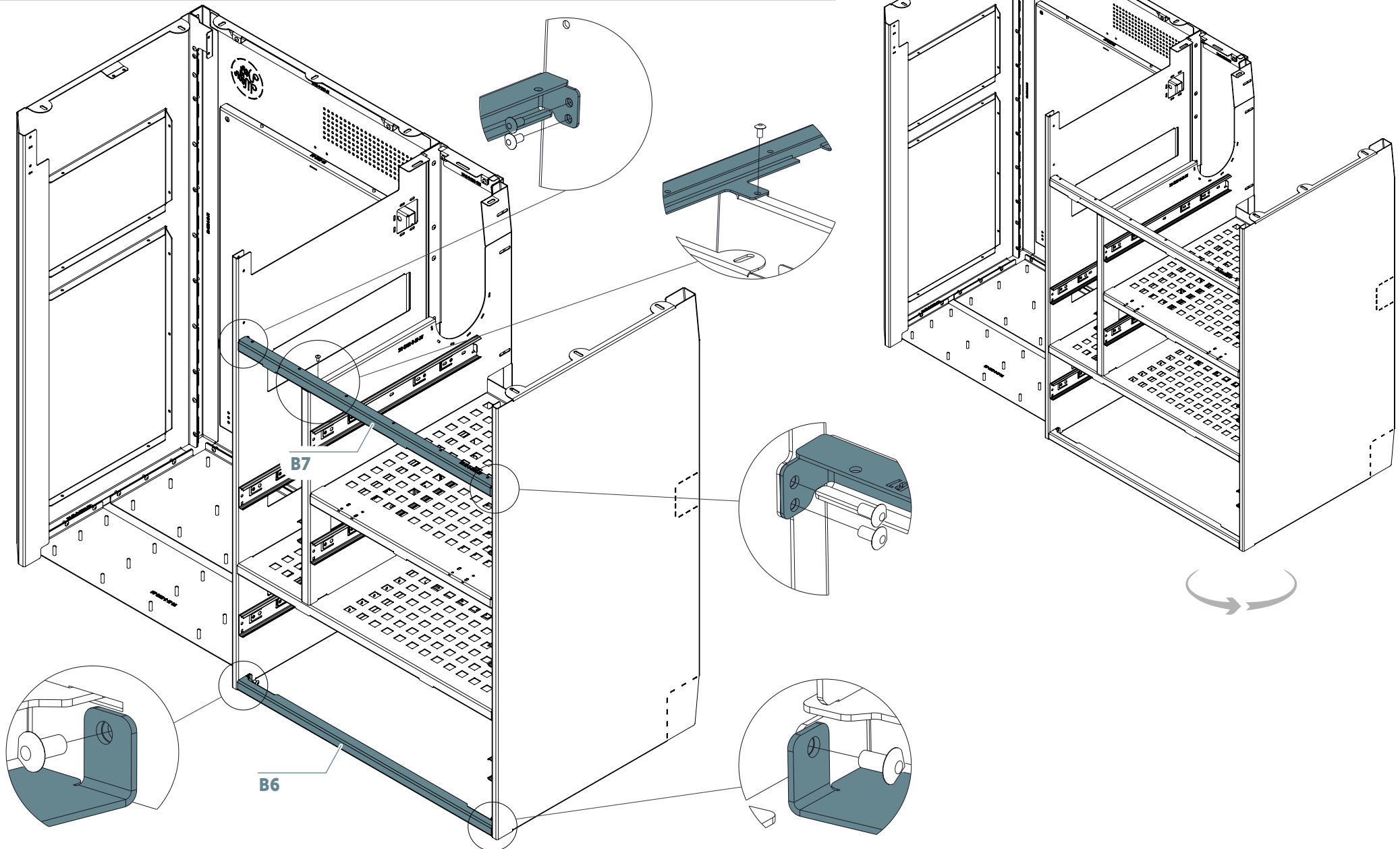
Step 10



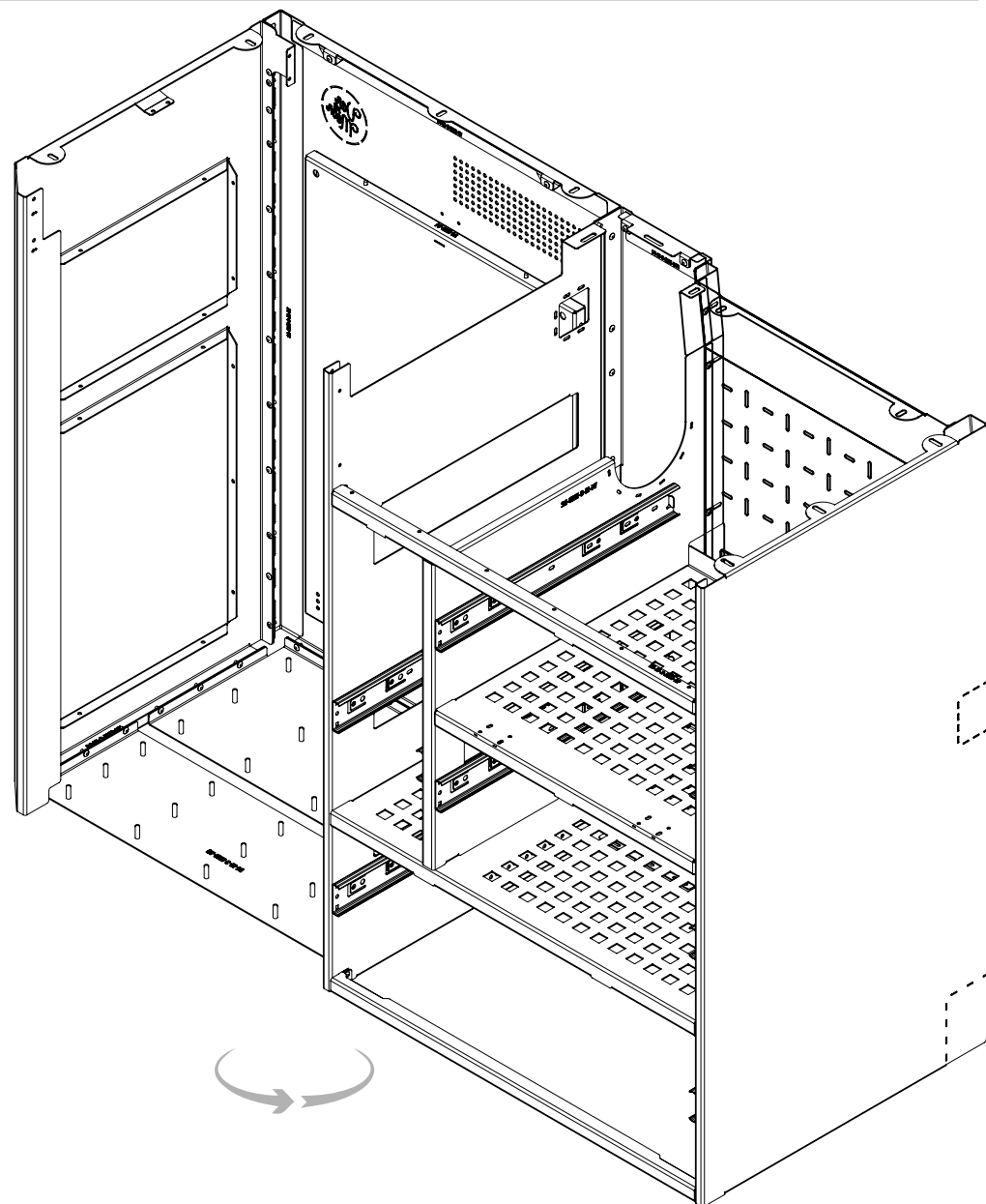
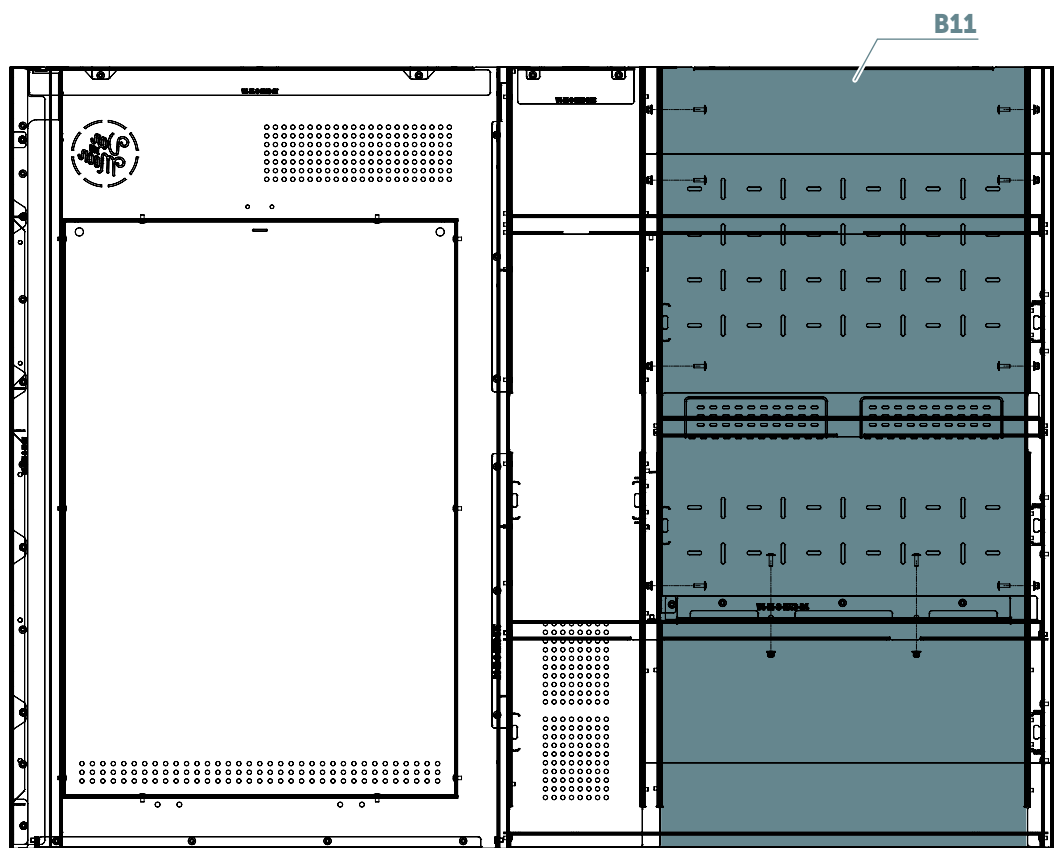
Rivet nut tool



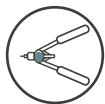
4x8
pcs 7x



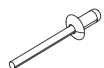
Step 11



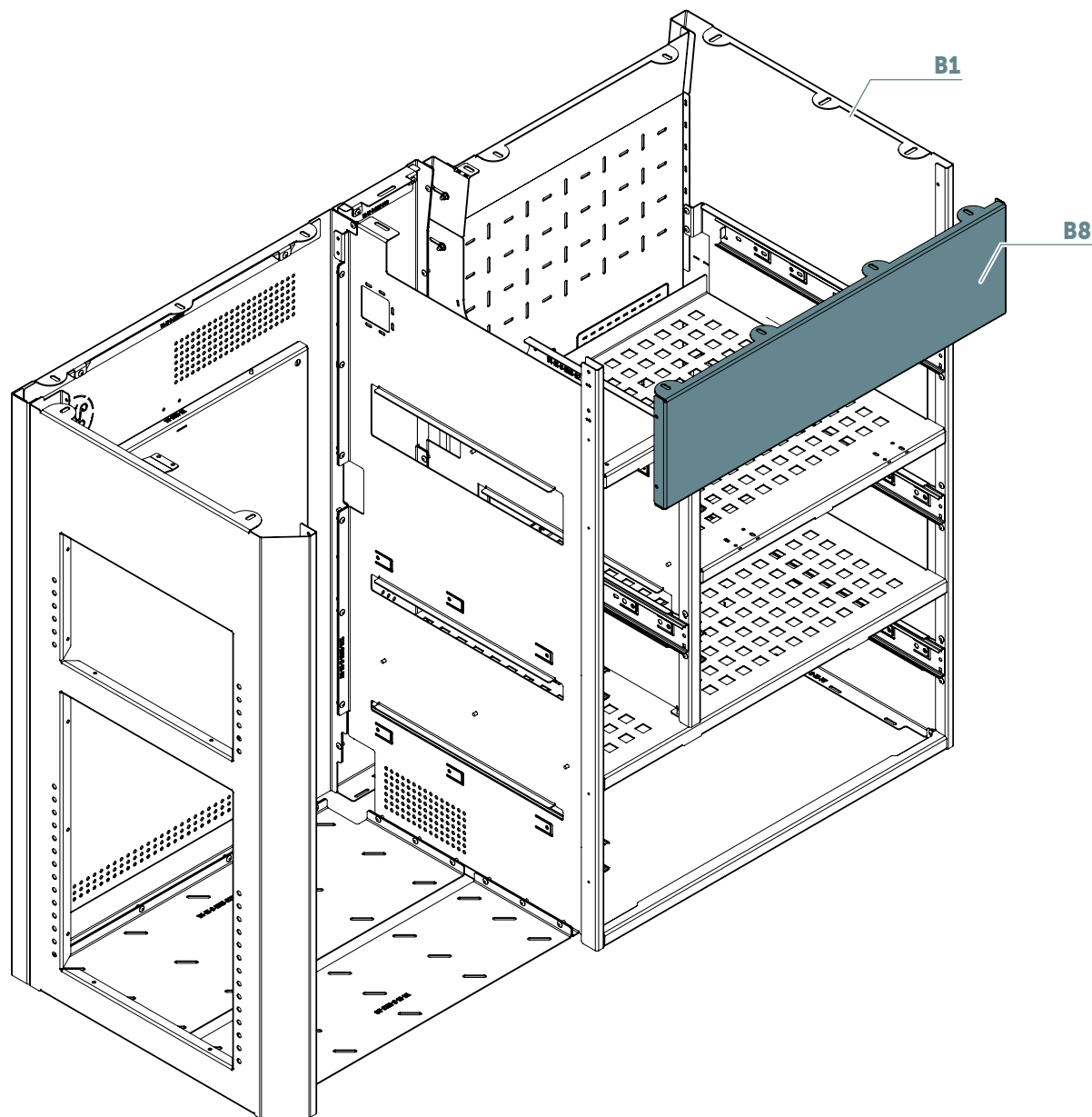
Step 12

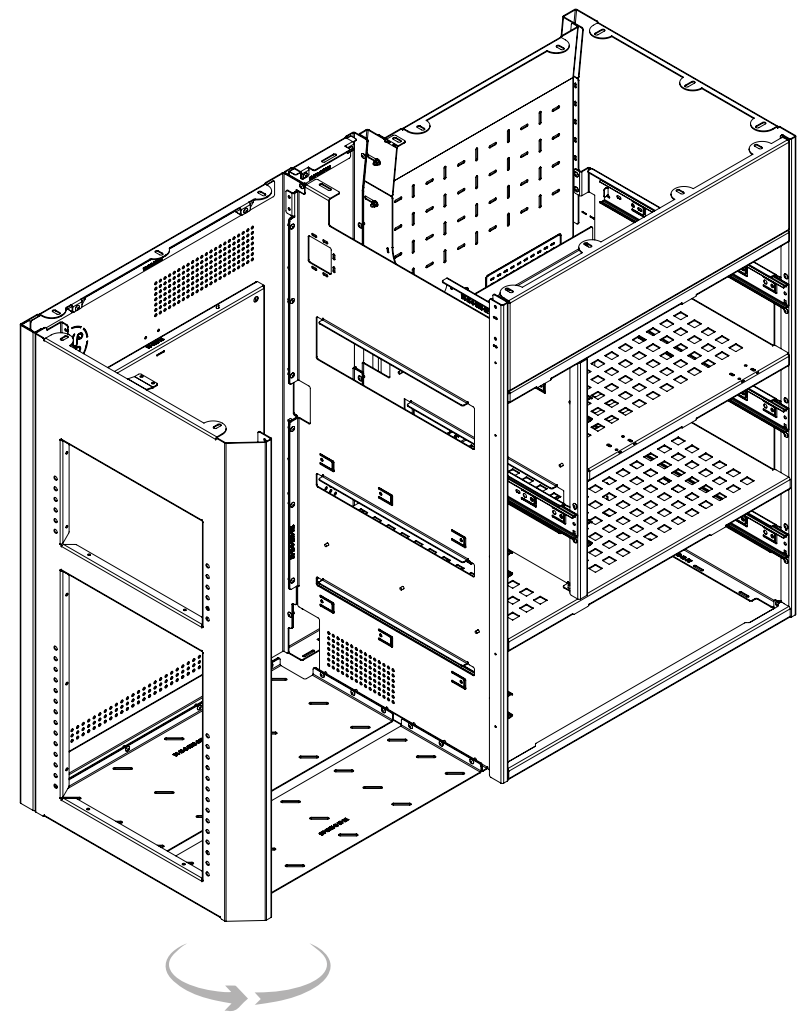
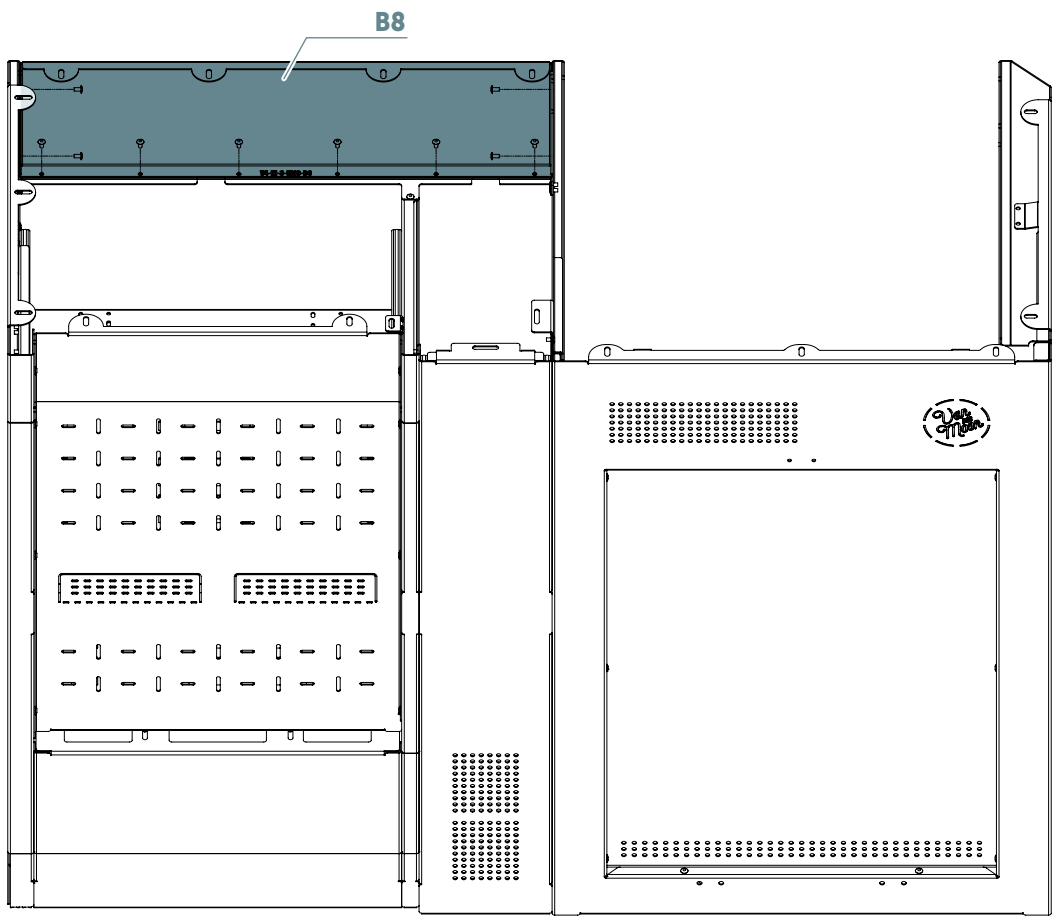


Rivet nut tool

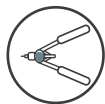


4x8
pcs 10x

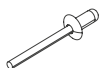




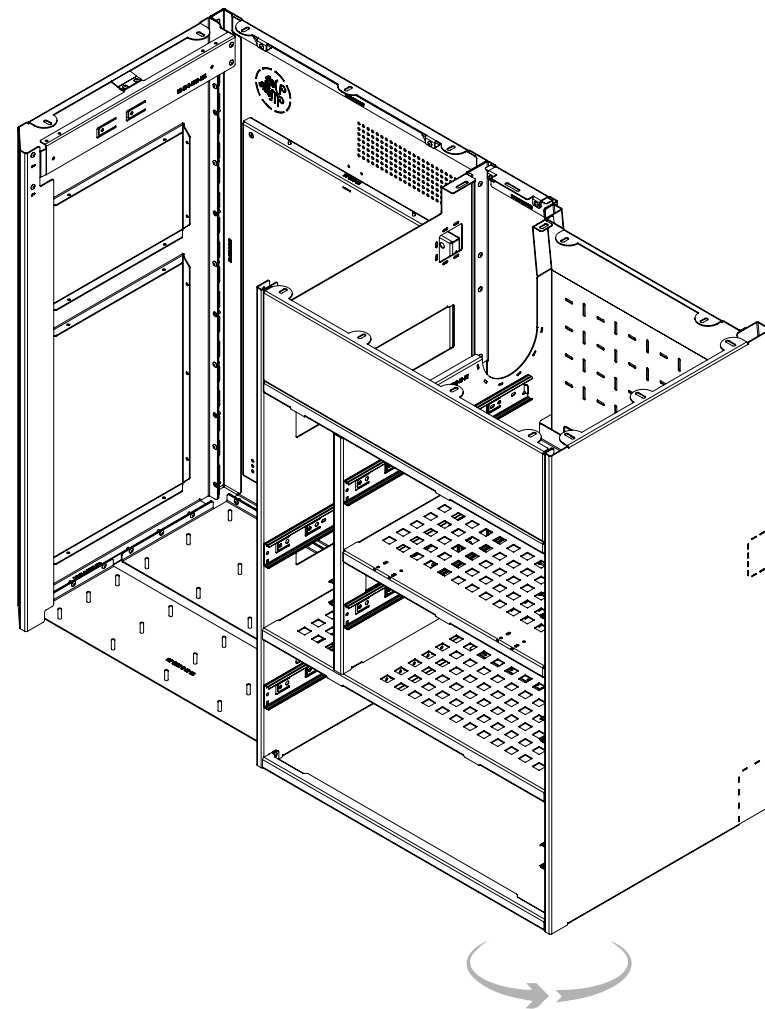
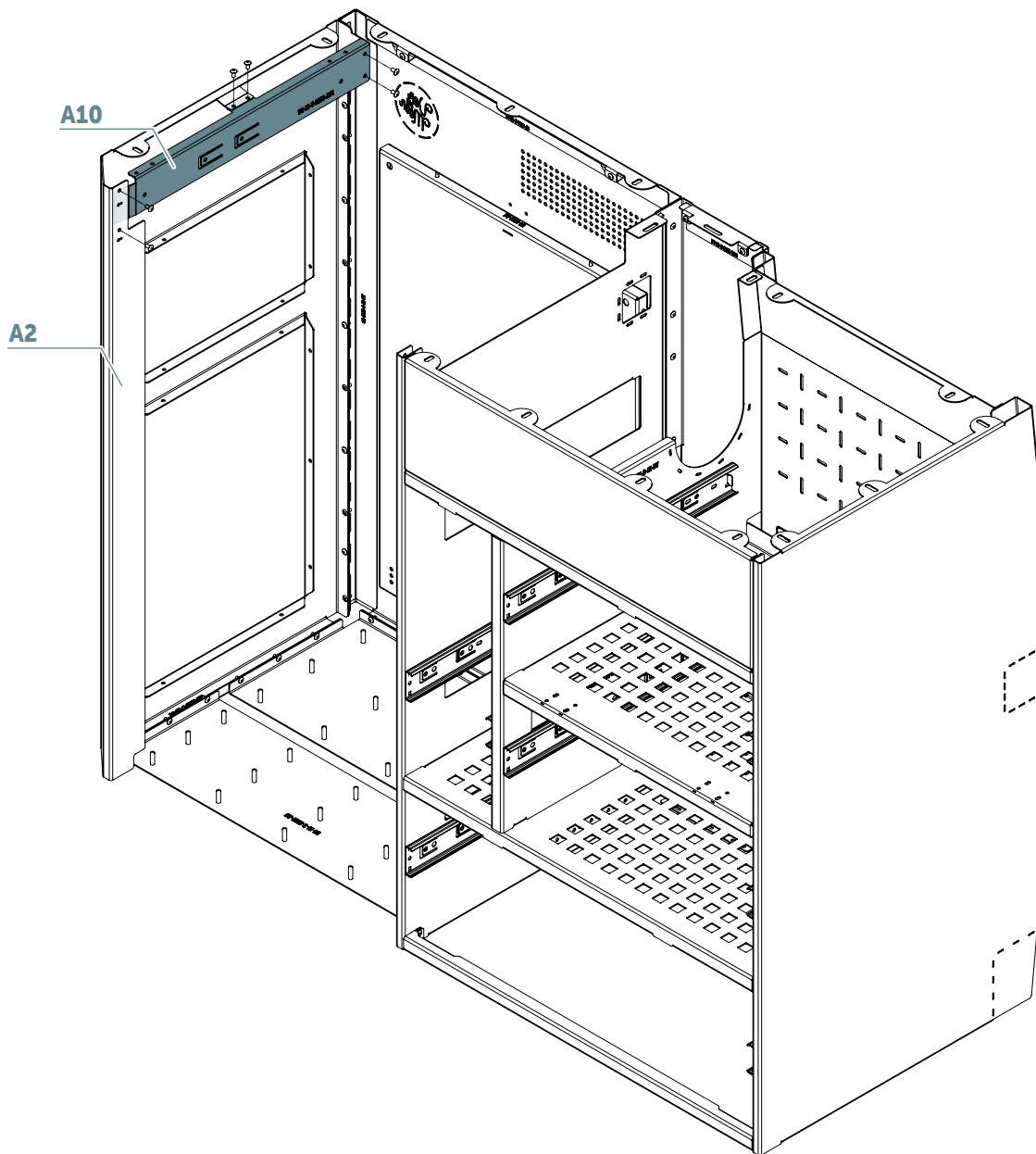
Step 13



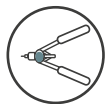
Rivet nut tool



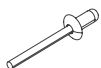
4x8
pcs 6x



Step 14-1

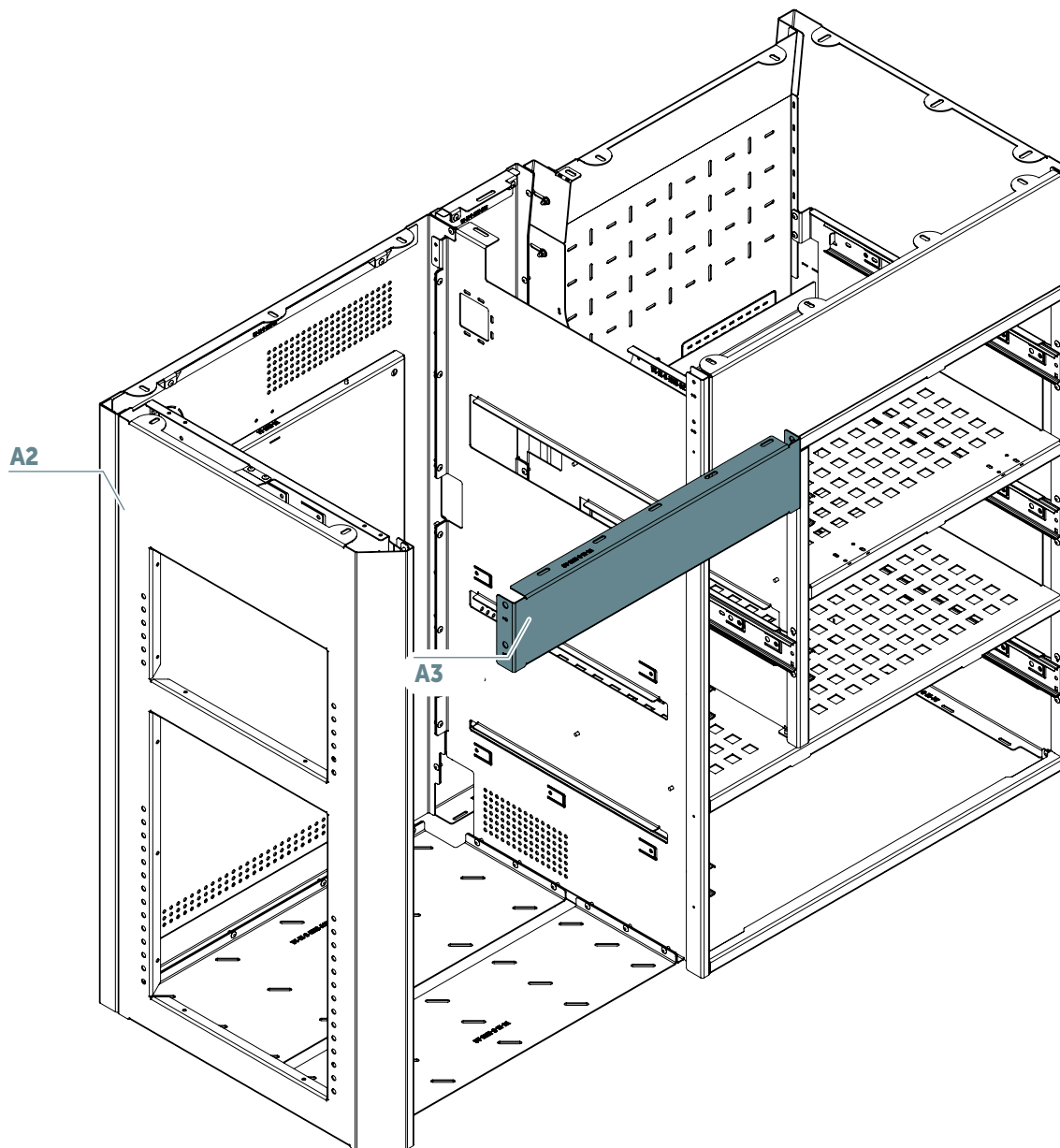


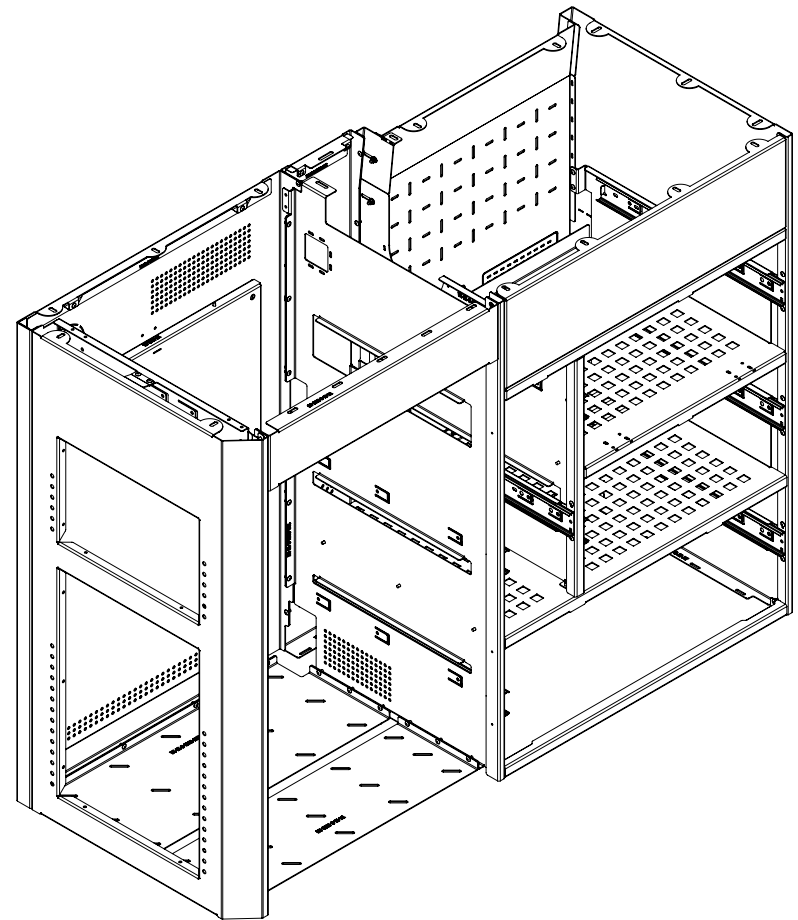
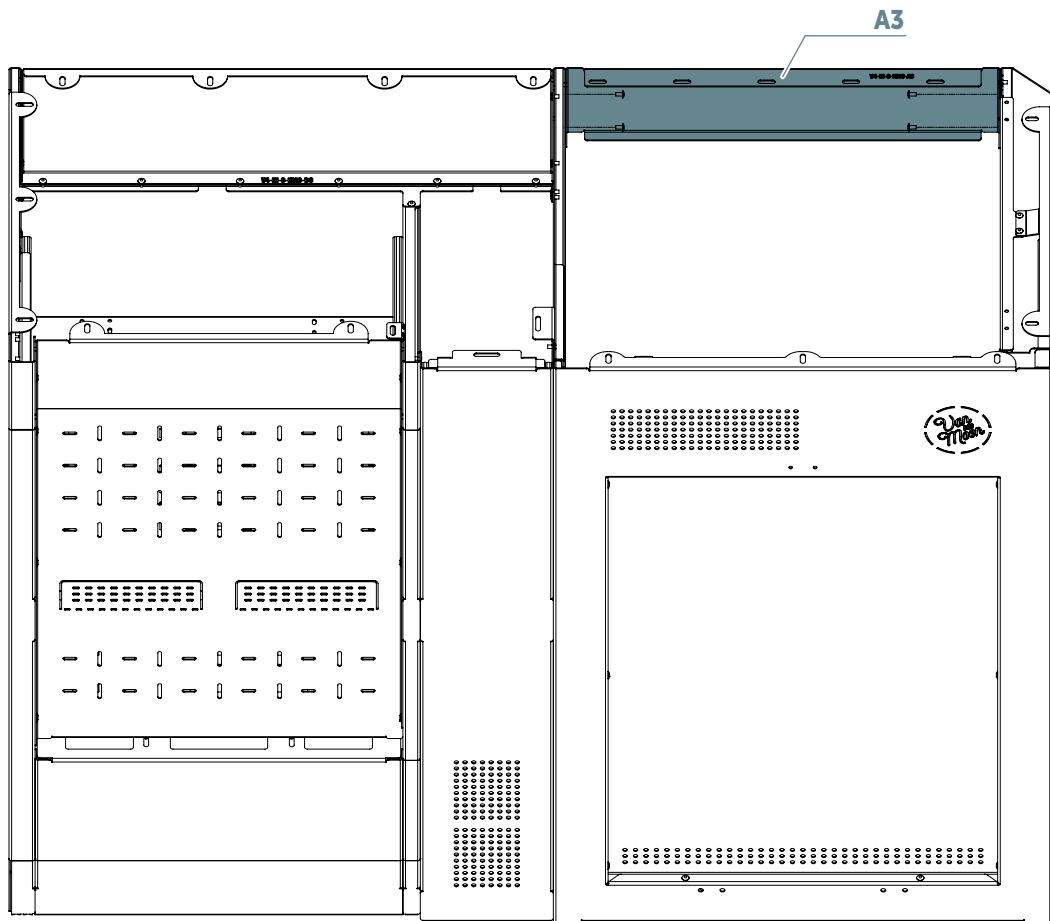
Rivet nut tool



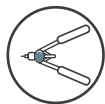
4x8
pcs 4x

Shell version

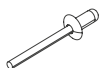




Step 14-2



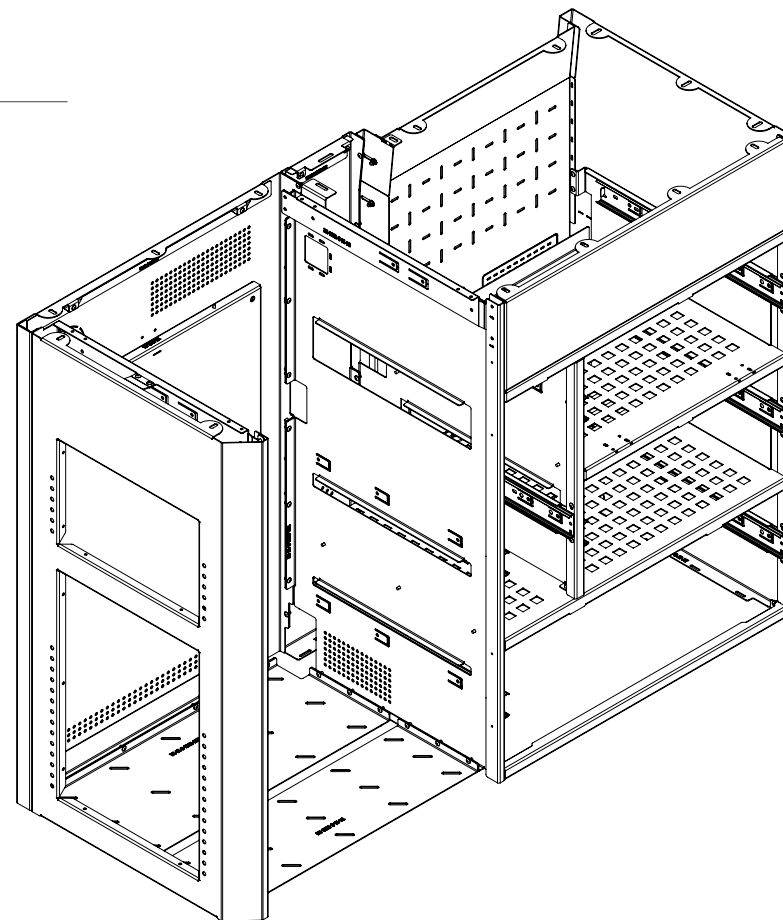
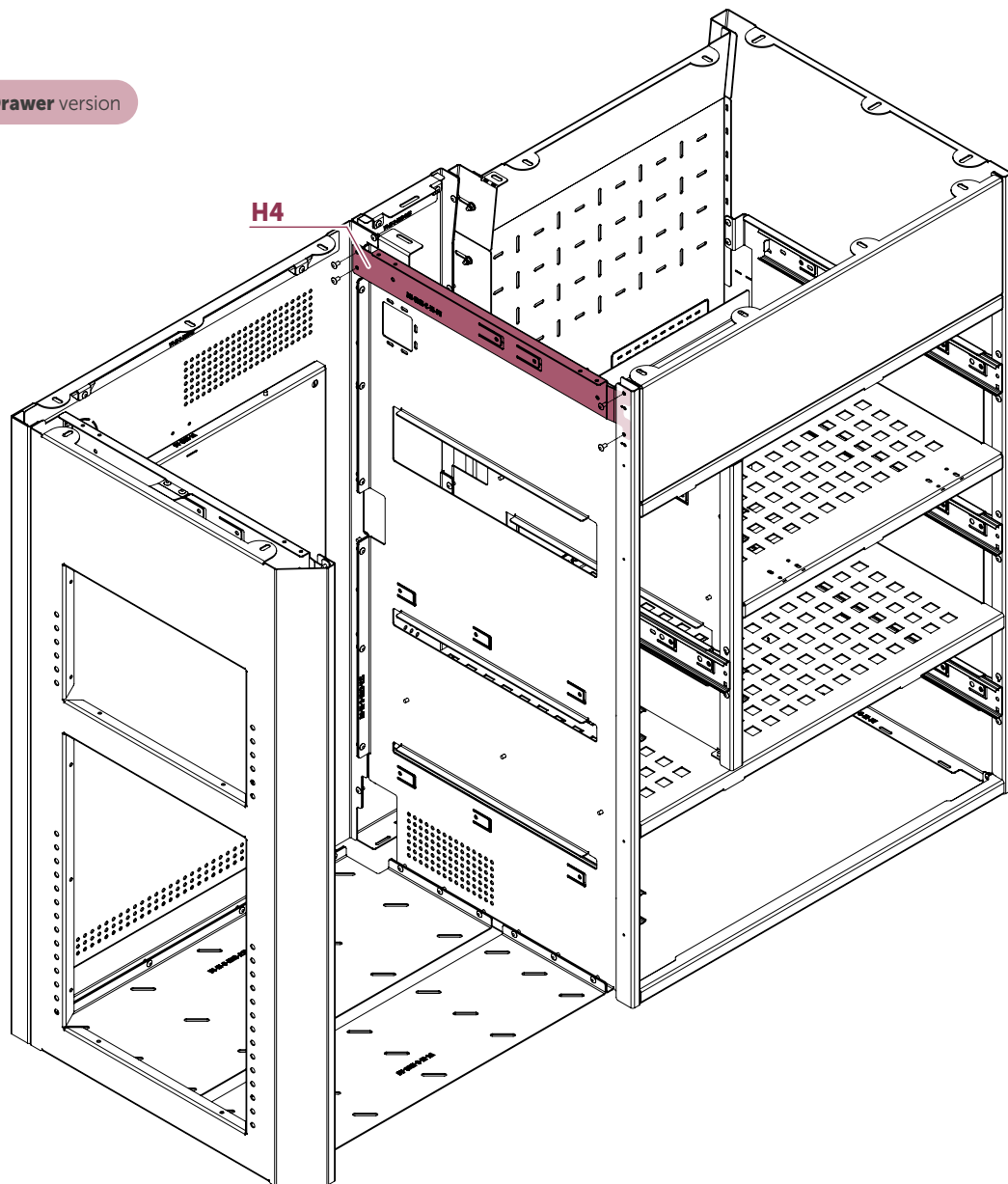
Rivet nut tool



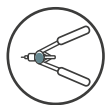
4x8
pcs 4x

EN

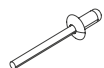
Drawer version



Step 15

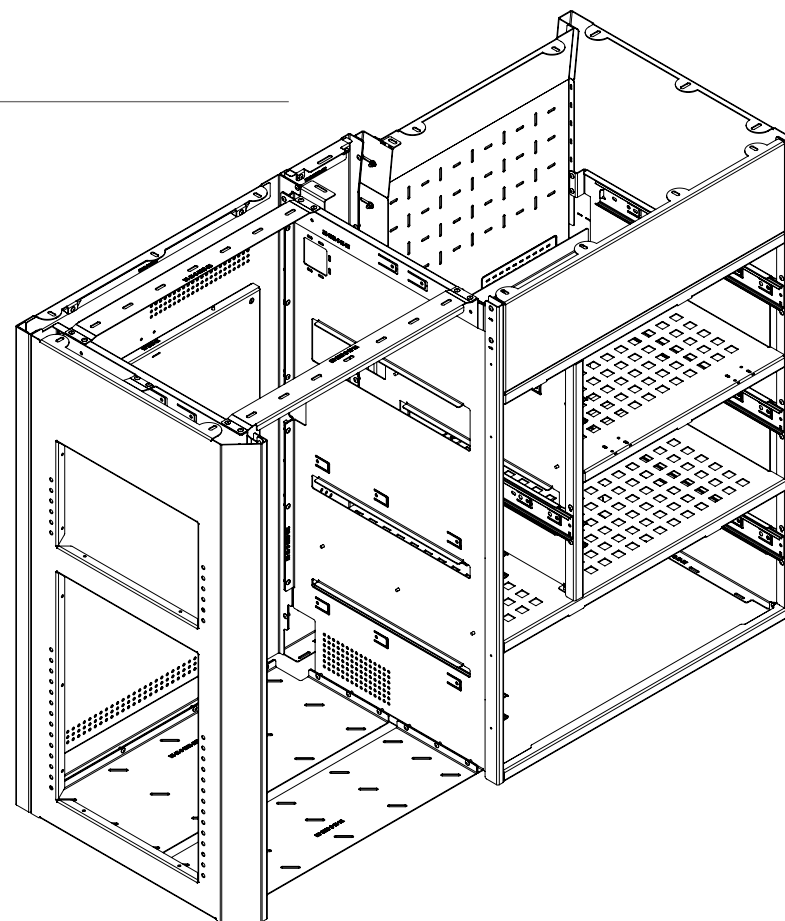
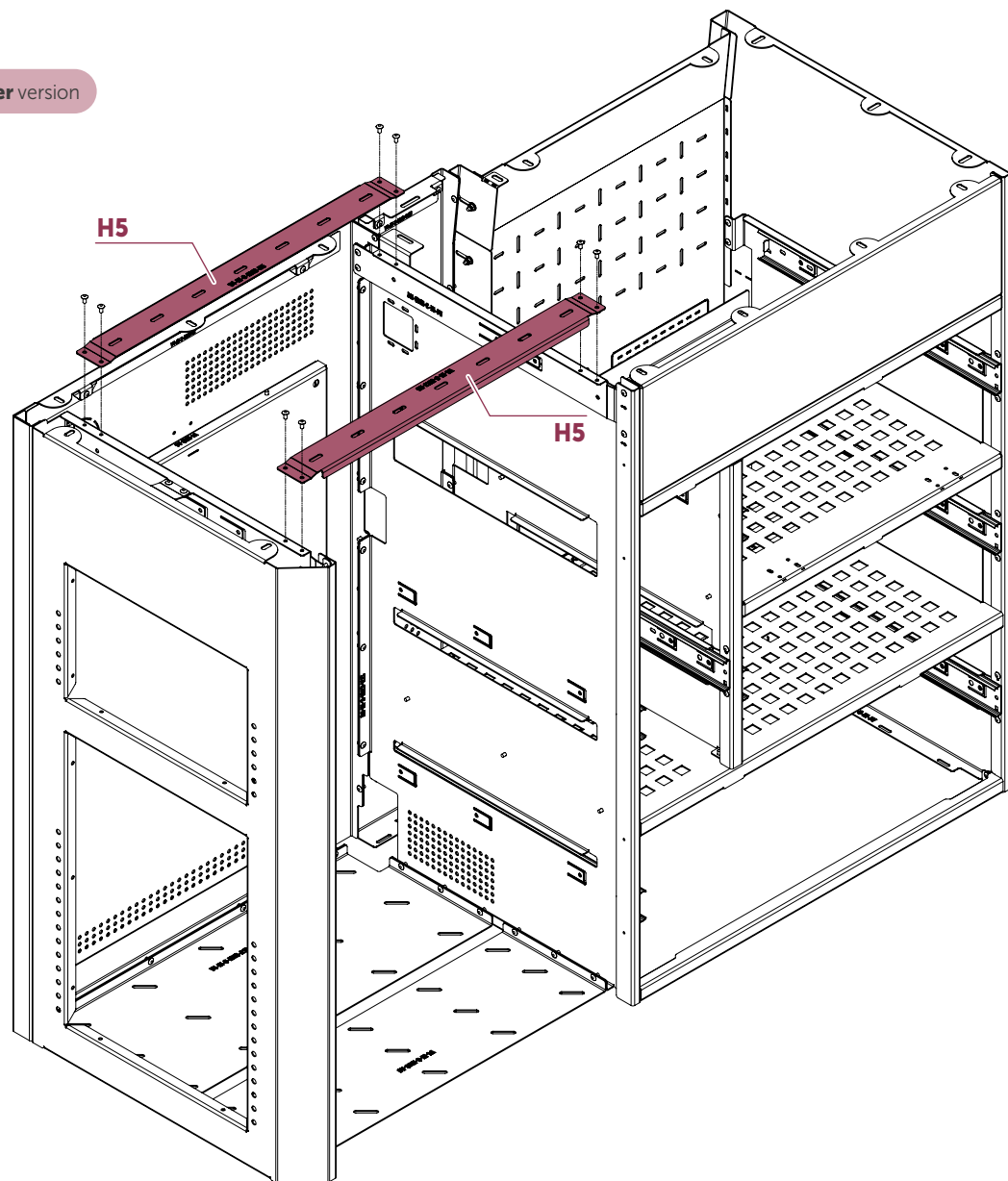


Rivet nut tool

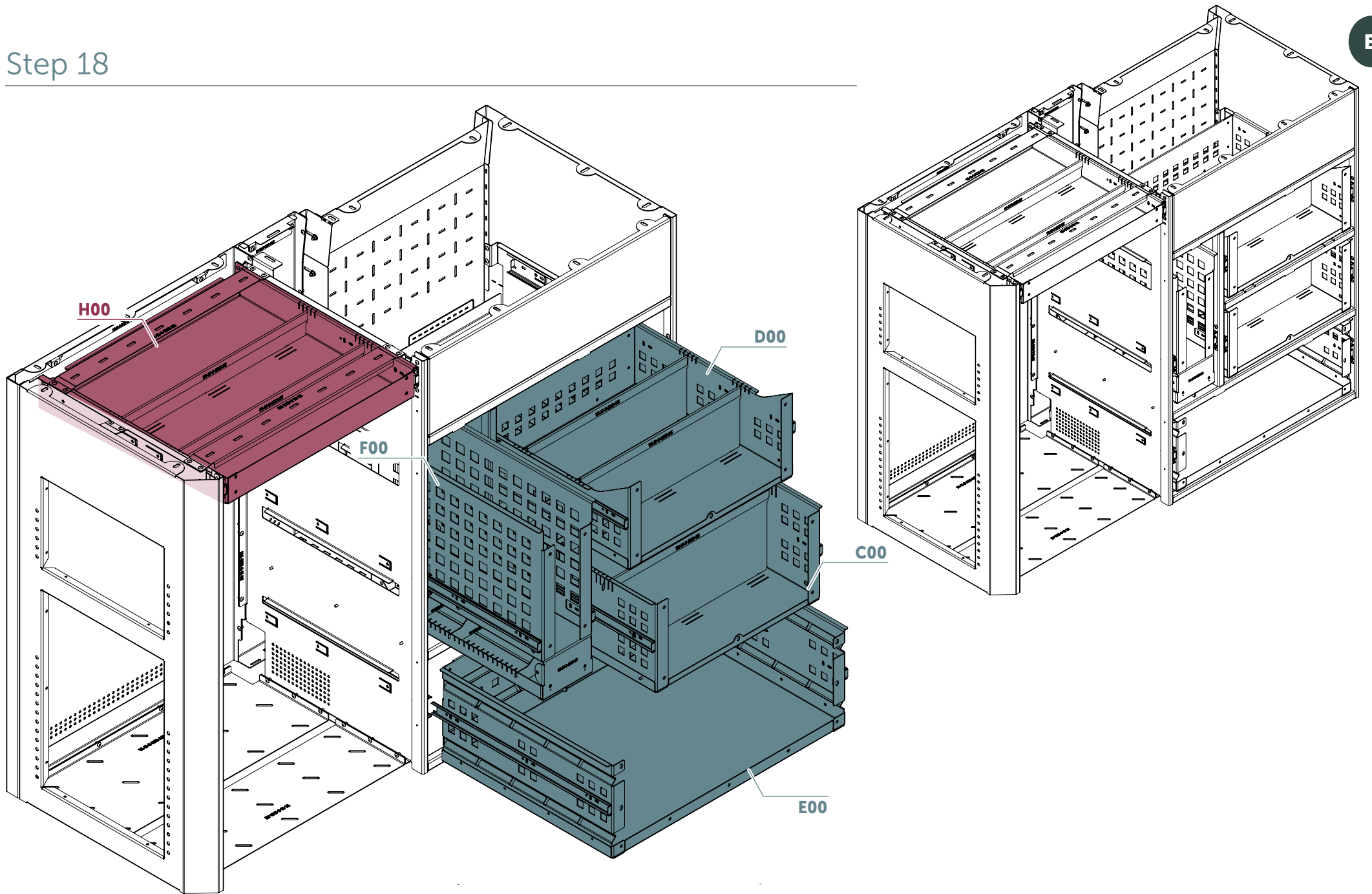


4x8
pcs 8x

Drawer version



Step 18



Step 20

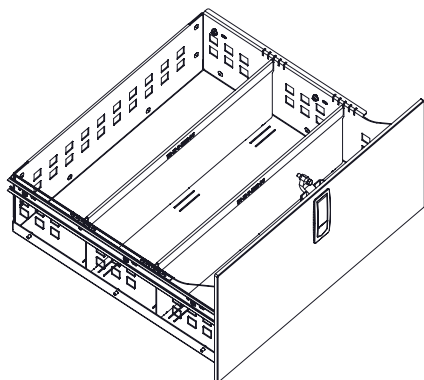
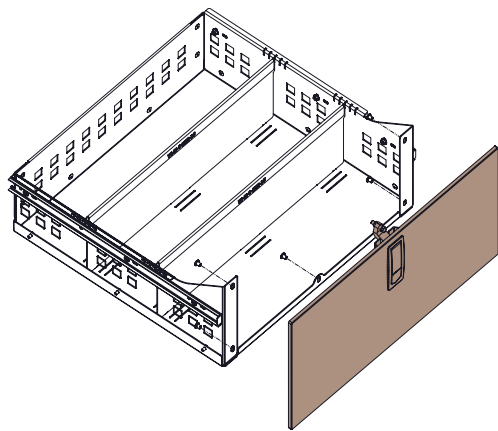


Allen





M5x6
pcs 5x

Front version



fasteners for drawer fronts

Drawer	Front	 M5x6	 M5x8
C00	CC1	5 pcs	
D00	DD1	5 pcs	
E00	EE1	9 pcs	
F00	FF1	4 pcs	2 pcs
H00	HH1		4 pcs

Step 21



Screwdriver



Spanner

 **M5x16**
pcs 4x

 **M5x14**
pcs 4x

 **M4x16**
pcs 4x

 **NS-L W M4**
pcs 2x

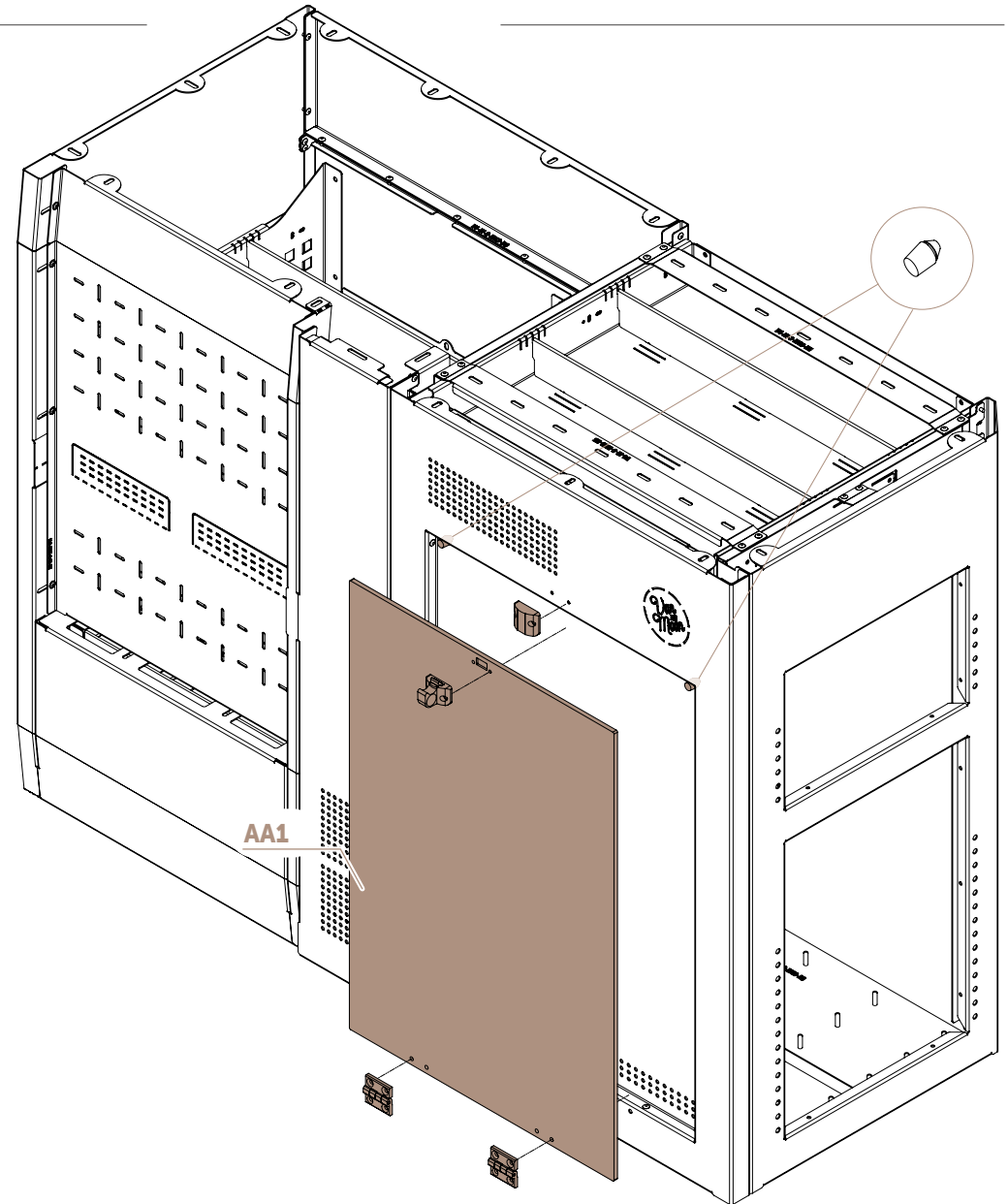
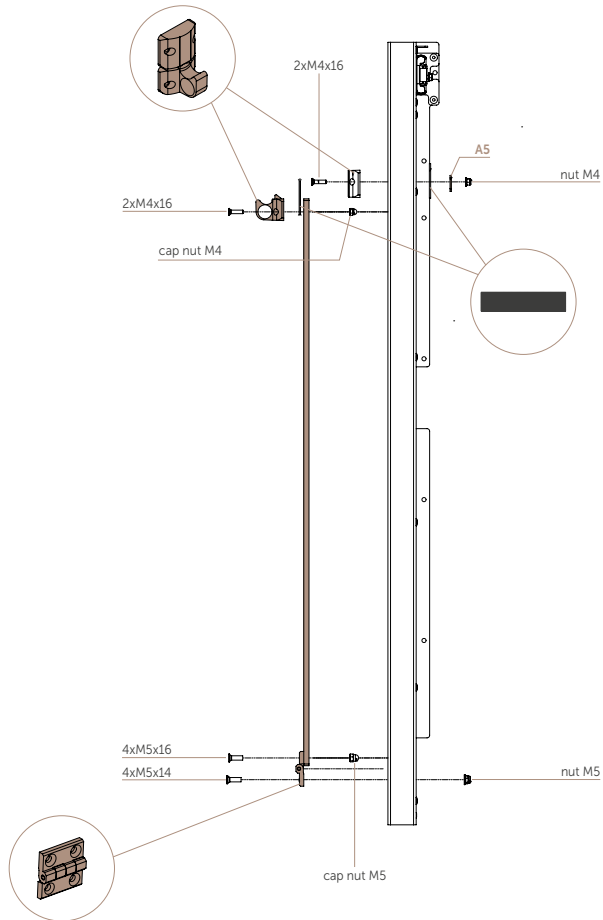
 **NS-L W M5**
pcs 4x

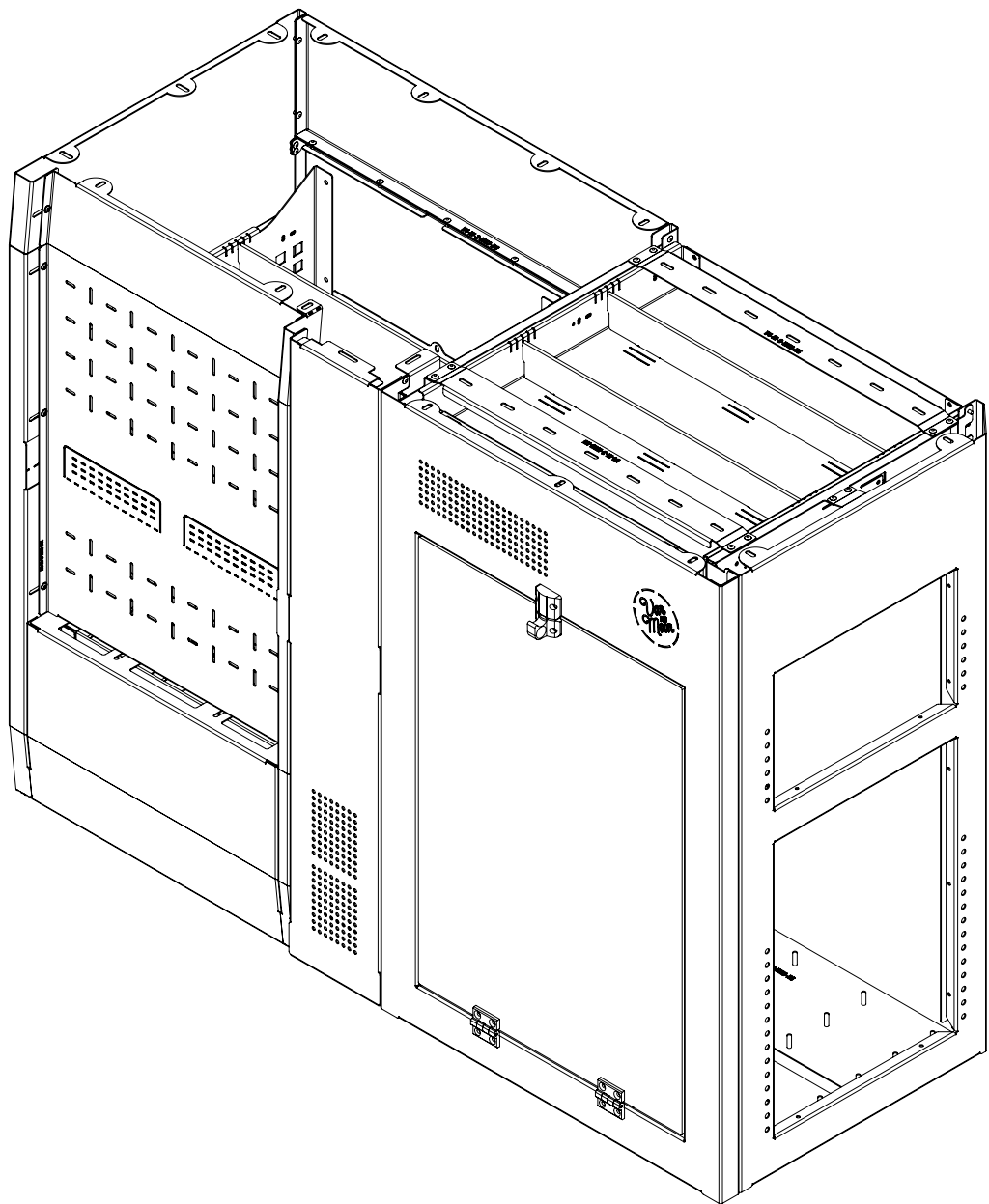
 **cap M4**
pcs 2x

 **cap M5**
pcs 4x

EN

Front version





Step 22

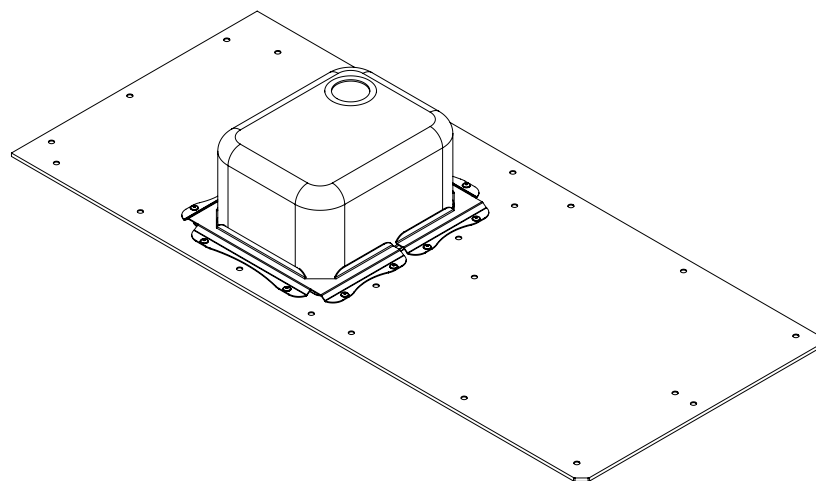
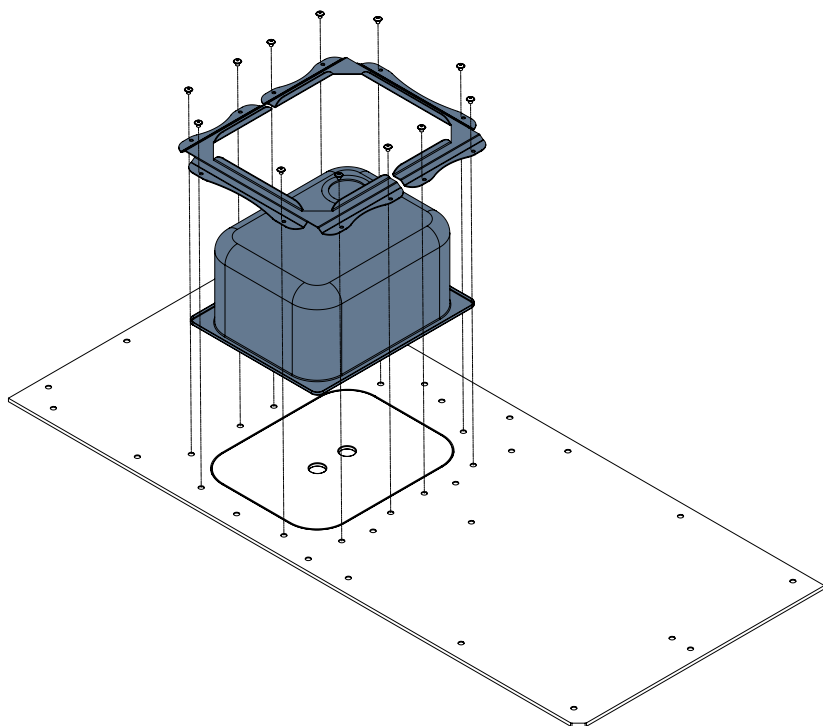


Allen



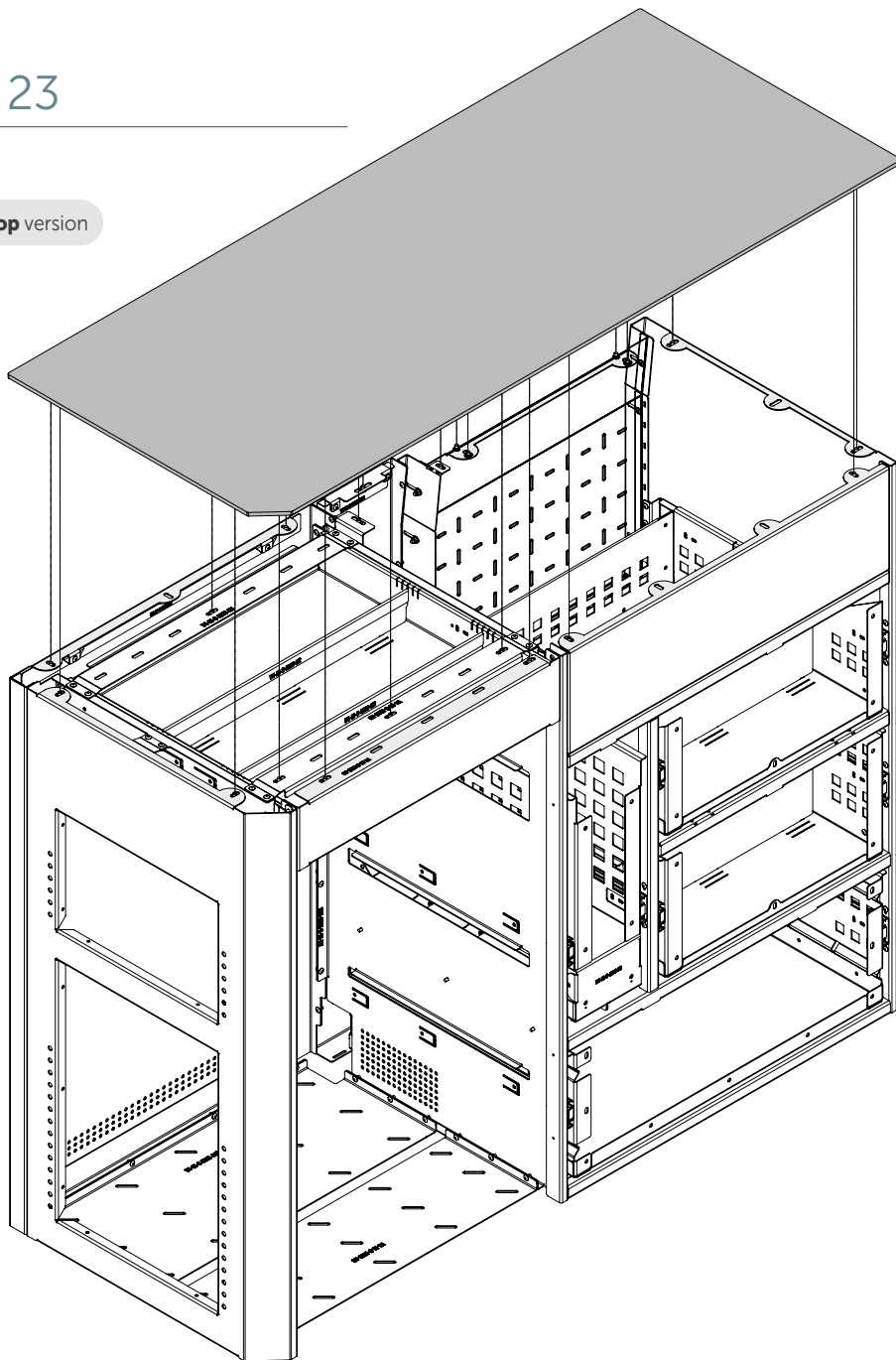
M5x6
pcs 12x

Countertop with sink version



Step 23

Countertop version

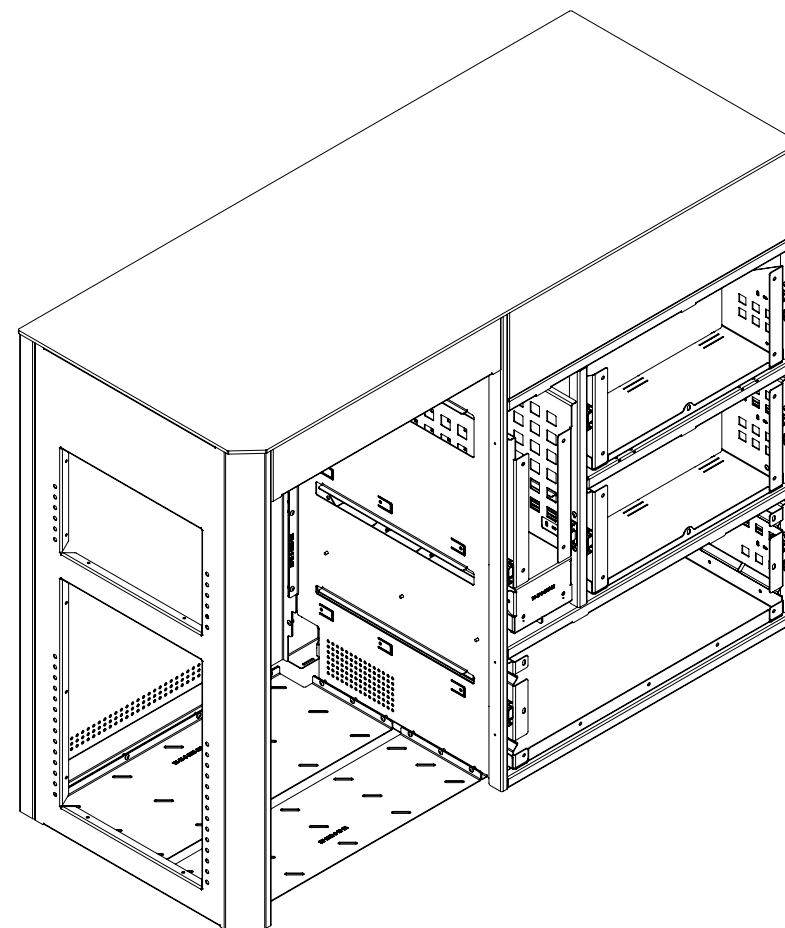


Allen



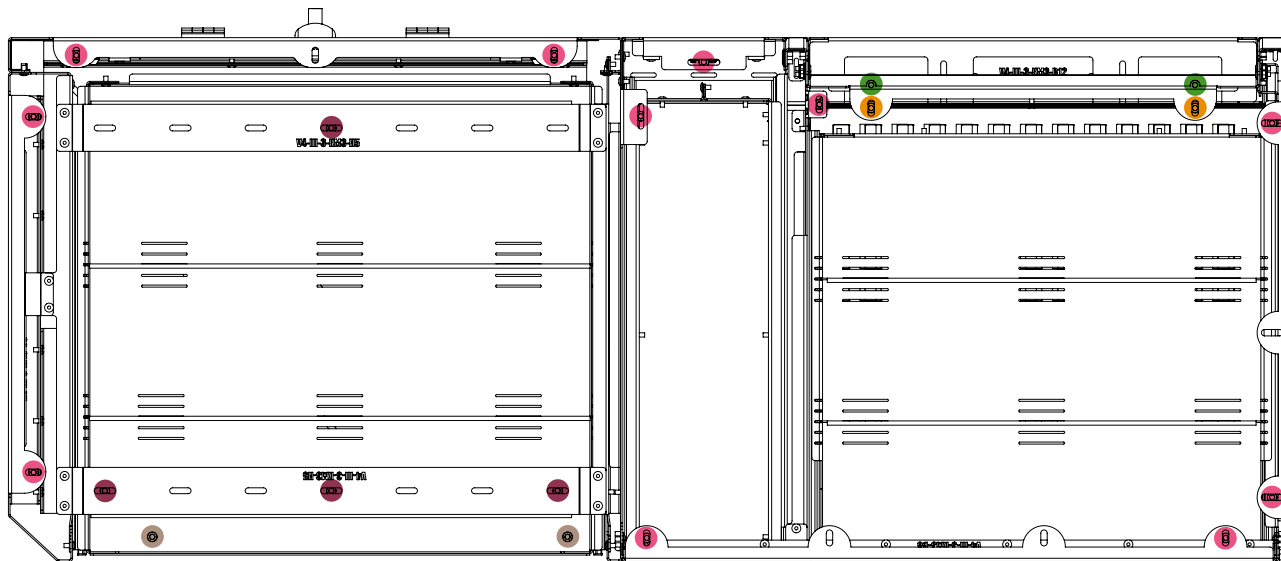
M5x6
pcs 21x

EN










 **Installation tip:**

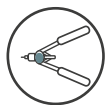
To make it much easier to **install the worktop** and to ensure better access to the inner corners and fixing points, we recommend **temporarily removing the drawers** from the Moon Kitchen cabinet.



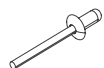
Number of screws in a given version

Version	Designation		Screw type	Quantity
all versions				12 pcs
additional fasteners for the version Drawer/Front Drawer				4 pcs
additional mounting for version Shell/Front			M5x6	2 pcs
maximum extension fixing of the sliding wall				2 pcs
minimum extension fixing of the sliding wall				2 pcs
Shell/Front				16 pcs
Drawer/Front Drawer		M5x6		18 pcs

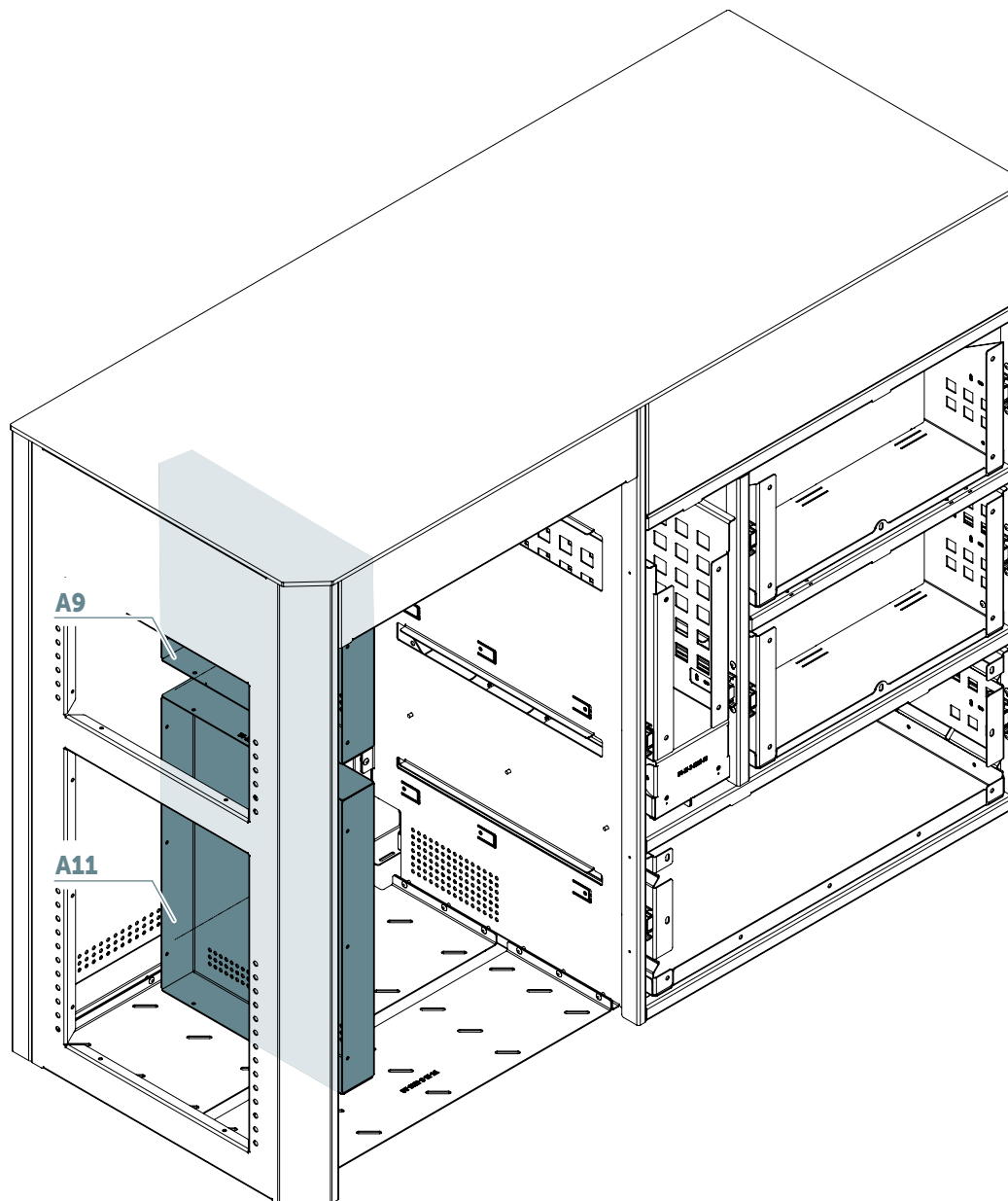
Step 24

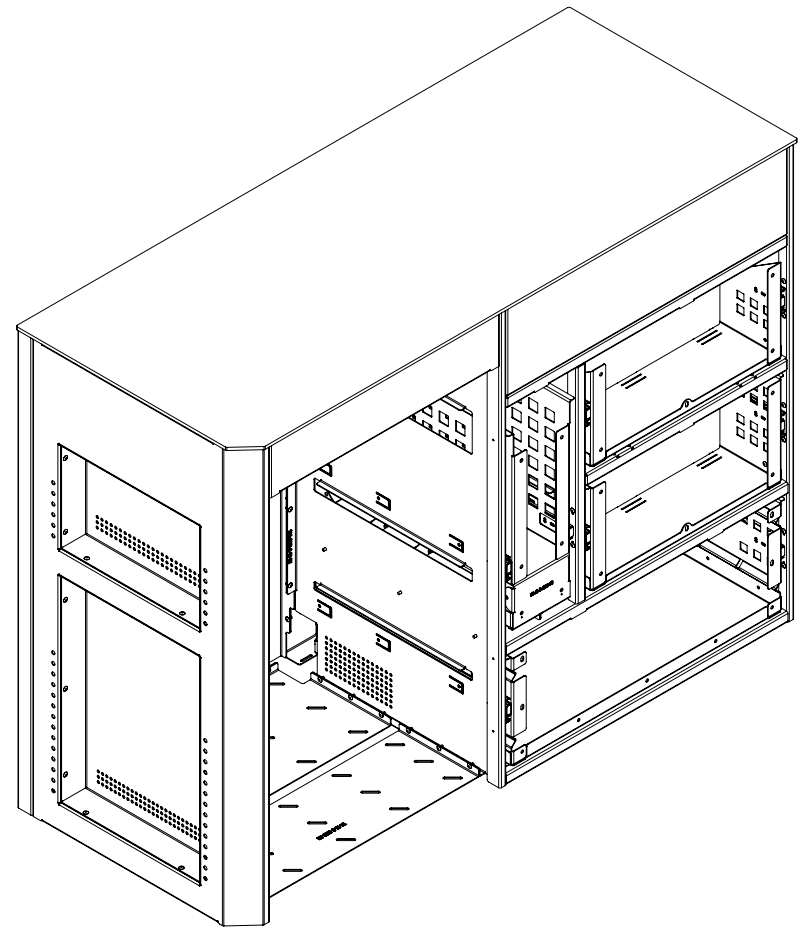
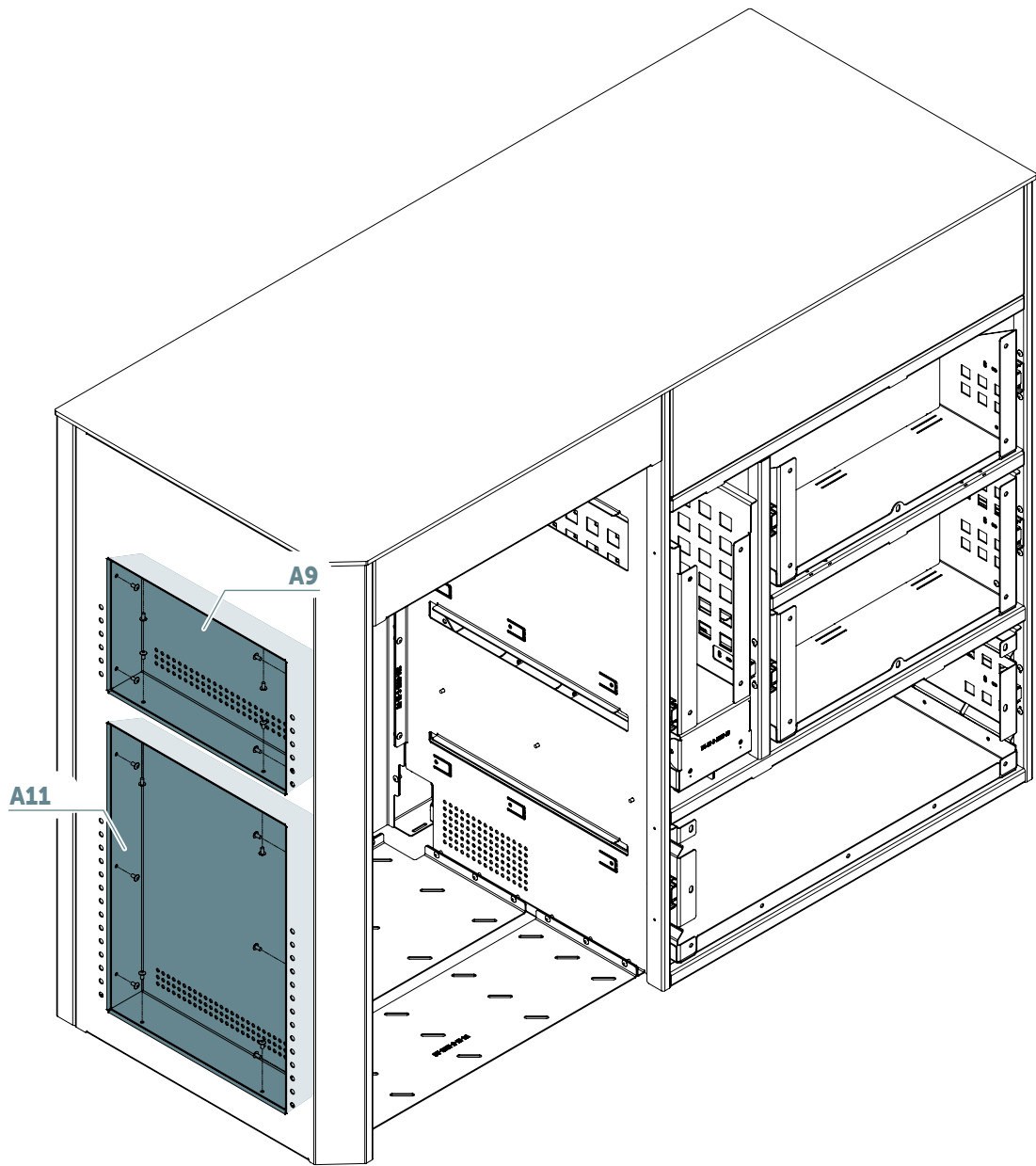


Rivet nut tool

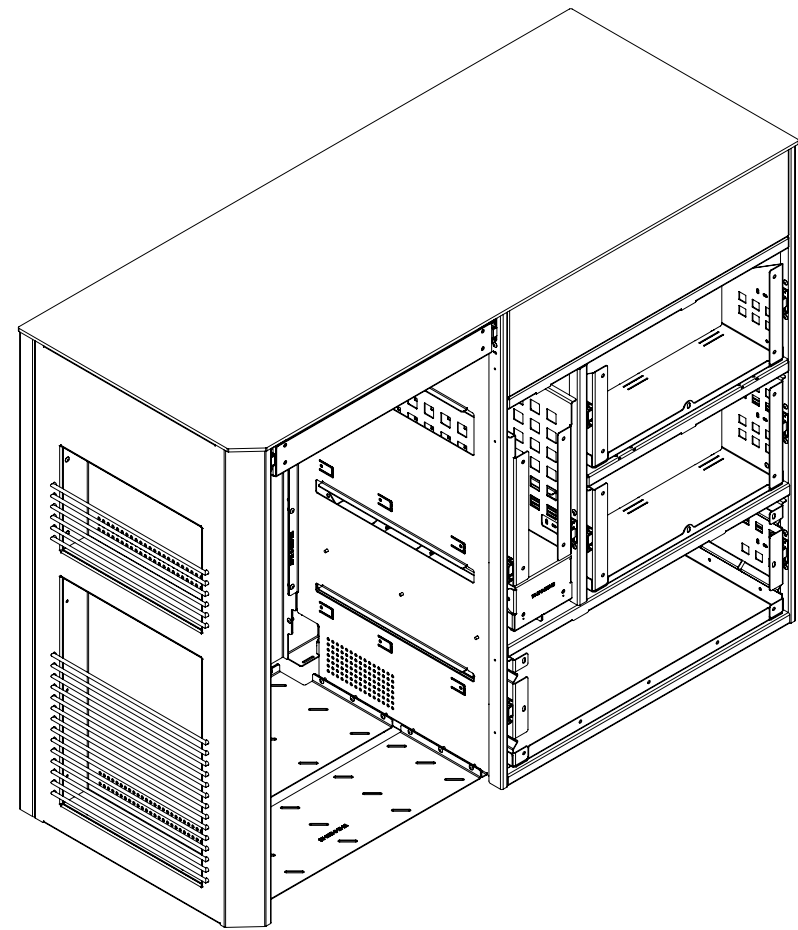
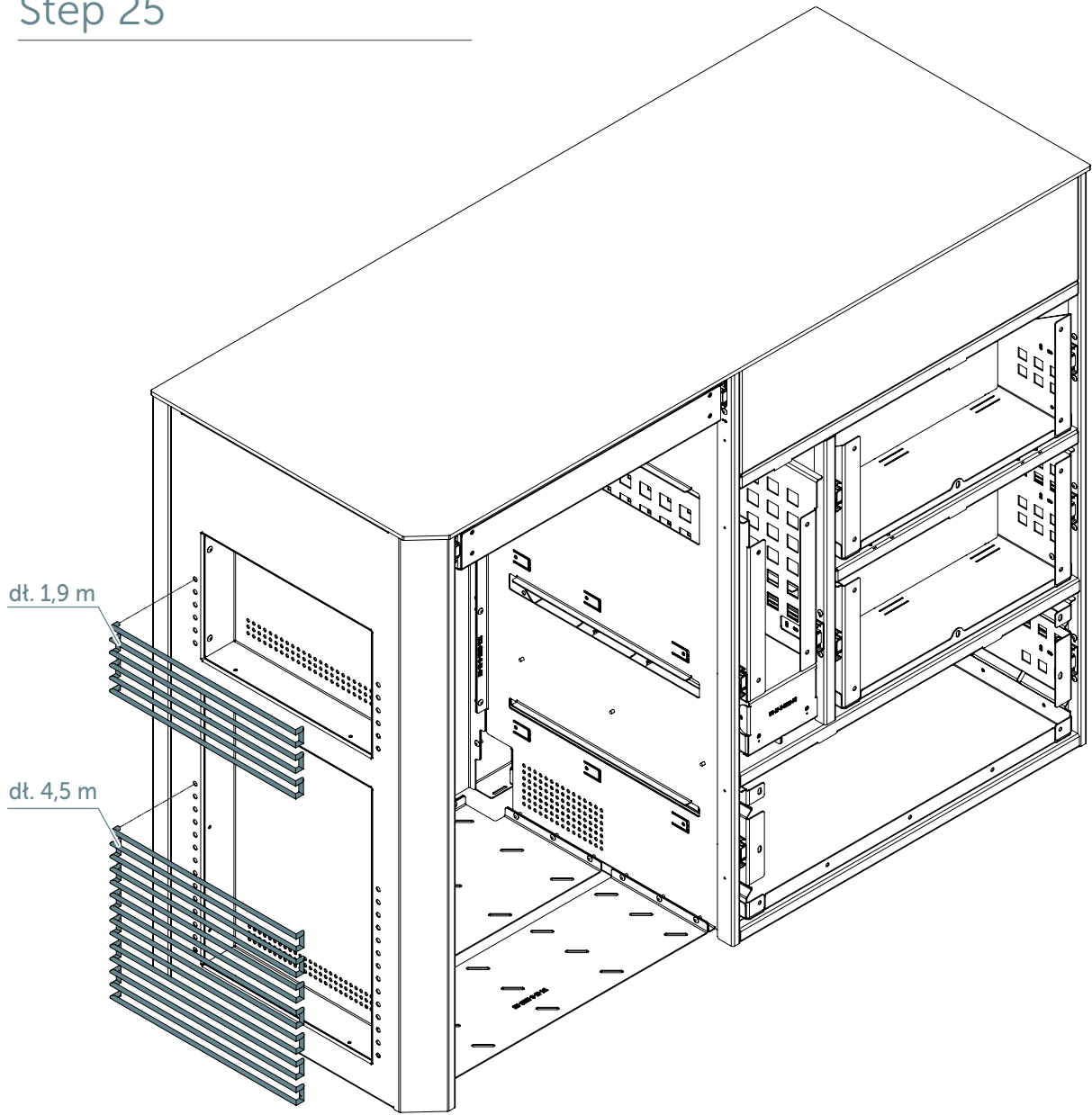


4x8
pcs 18x





Step 25





Cleaning

Surfaces should be cleaned with a soft cloth and mild detergent.
Avoid abrasive materials and harsh chemicals.
Ventilation points should be kept clean.
Wipe dry after cleaning to prevent water stains.



Composition

Aluminium construction, HPL fronts, professional fittings.



Transport and storage

The products are packed in cardboard outer packaging.
During transport, they should be placed horizontally or vertically.
They should be transported in their original packaging..



Disposal of the packaging

The packaging is made of recyclable cardboard, so it should not be thrown away, but disposed of in a landfill in waste paper bins or special containers for cardboard packaging.

Bubble wrap should be disposed of in a plastic and metal container after cleaning it of dirt and labels. If the film is heavily soiled or greasy, it should be disposed of in mixed waste. It is also worth considering reusing the film to protect items before disposing of it.



Precautions

Read and understand all installation instructions before installing the Moon Kitchen Solid unit.

After installation, check the safety of the installation by applying moderate force to test the fastening.

Do not leave Moon Kitchen Solid in direct sunlight – this may cause the material to fade. However, this does not change the mechanical properties of the material.

Protect from moisture.

Keep away from open flames and heat sources.

Follow the guidelines for the maximum load capacity of the model.

Use appropriate tools for installation and opening the packaging to avoid damage.

Periodically check the mounting points and equipment for proper tightness.



www.vandermoon.com



Contact

tel. +48 18 442 33 69
shop@vandermoon.com

Van Der Moon® is a registered trademark of the Vitberg Sikora Jacek.
© Vitberg Sikora Jacek – all rights reserved.
Made in Poland.