

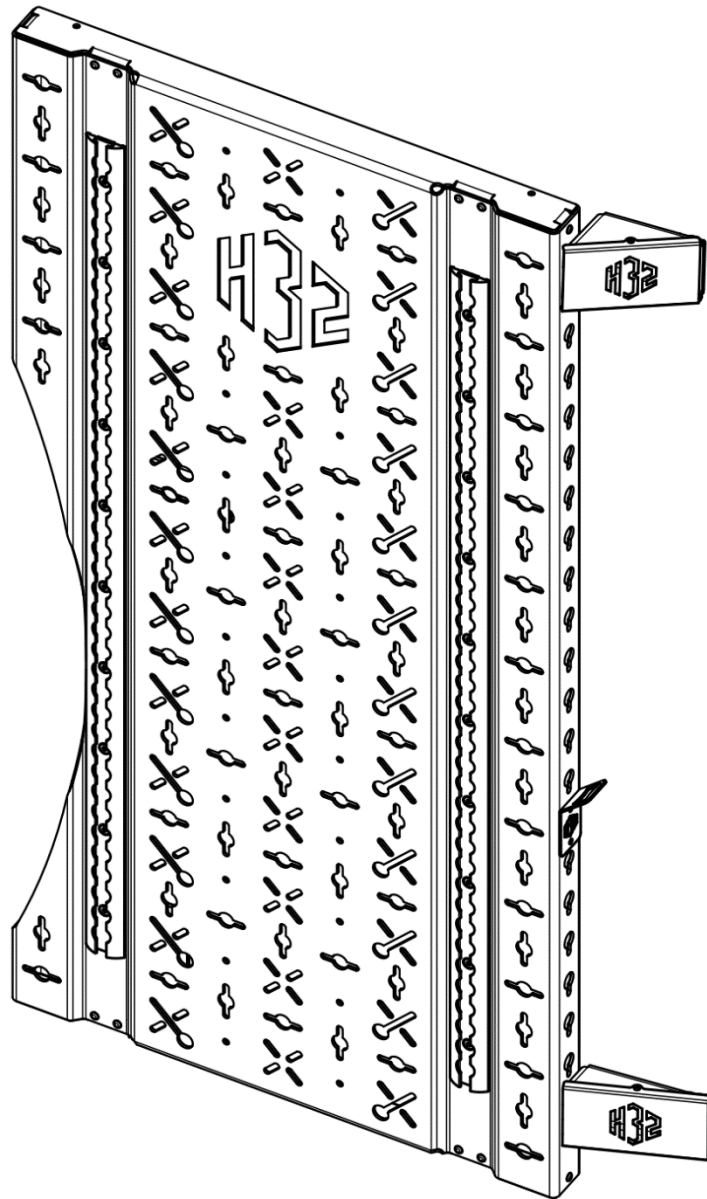


H32DESIGN

ASSEMBLY INSTRUCTIONS

Cargo Rack

VW Crafter 2 / MAN TGE

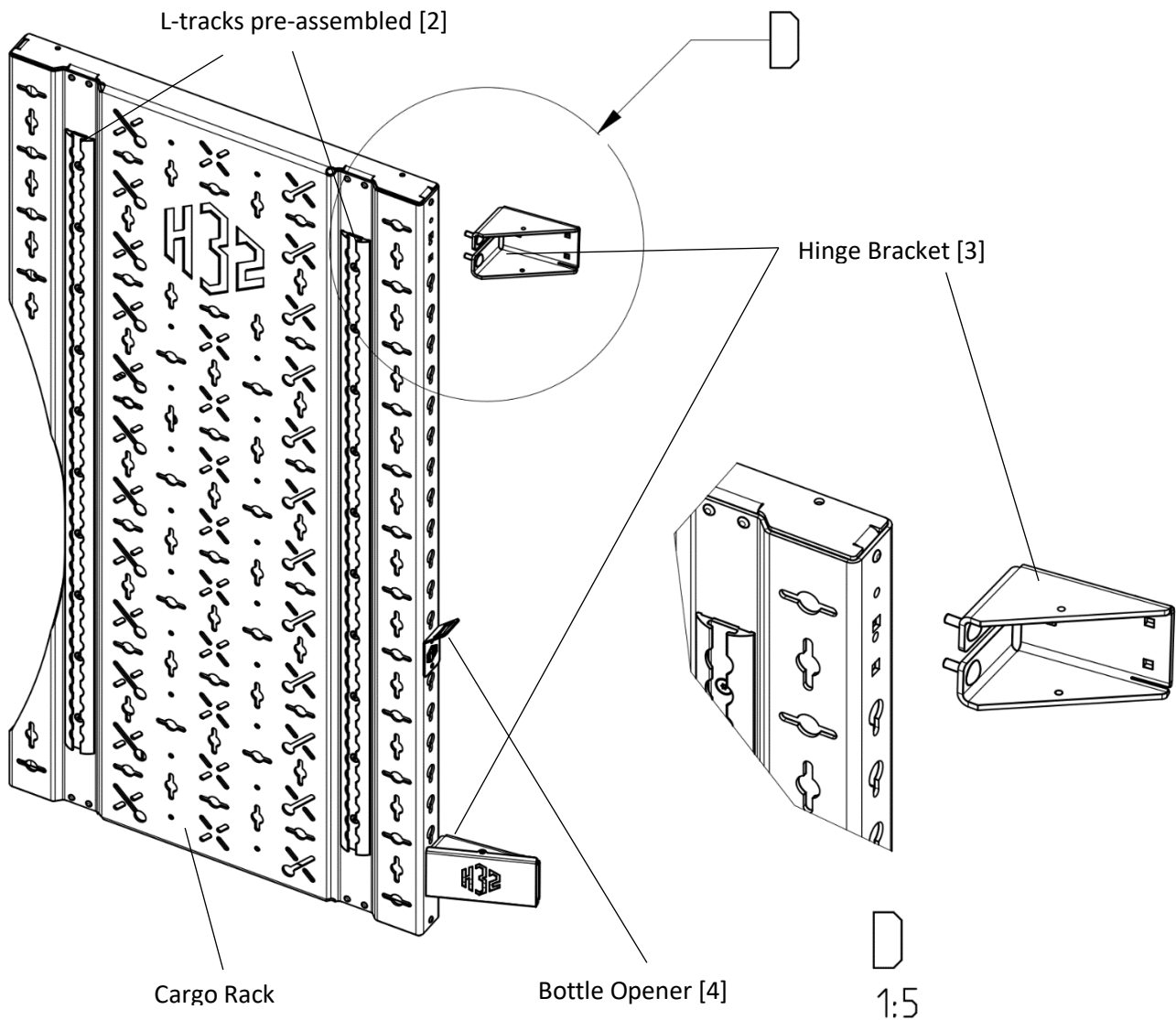


1. GENERAL

The cargo rack will be attached to the two hinges of the rear door (180 degree hinges obligatory) and fixed with two additional mounting points through the door panel.

2. REQUIRED TOOLS

Cordless screwdriver	IPA cleaner
Reversible ratchet with a 10mm socket wrench insert	Cleaning wipes
Allen key set	Tape & Marker
Step-drill or 4mm & 7mm drill	Glue (z.B. Sika 252)
Deburrer or countersink	Scissors
Zinc spray	Screw driver Torx TX25
Small brush	



3. CHECKING THE SCOPE OF DELIVERY

Unpack everything and check the scope of delivery for completeness and transport damage.

4. REMOVE DOOR COVERS

Open the rear door and remove the covers on the inside of the door.

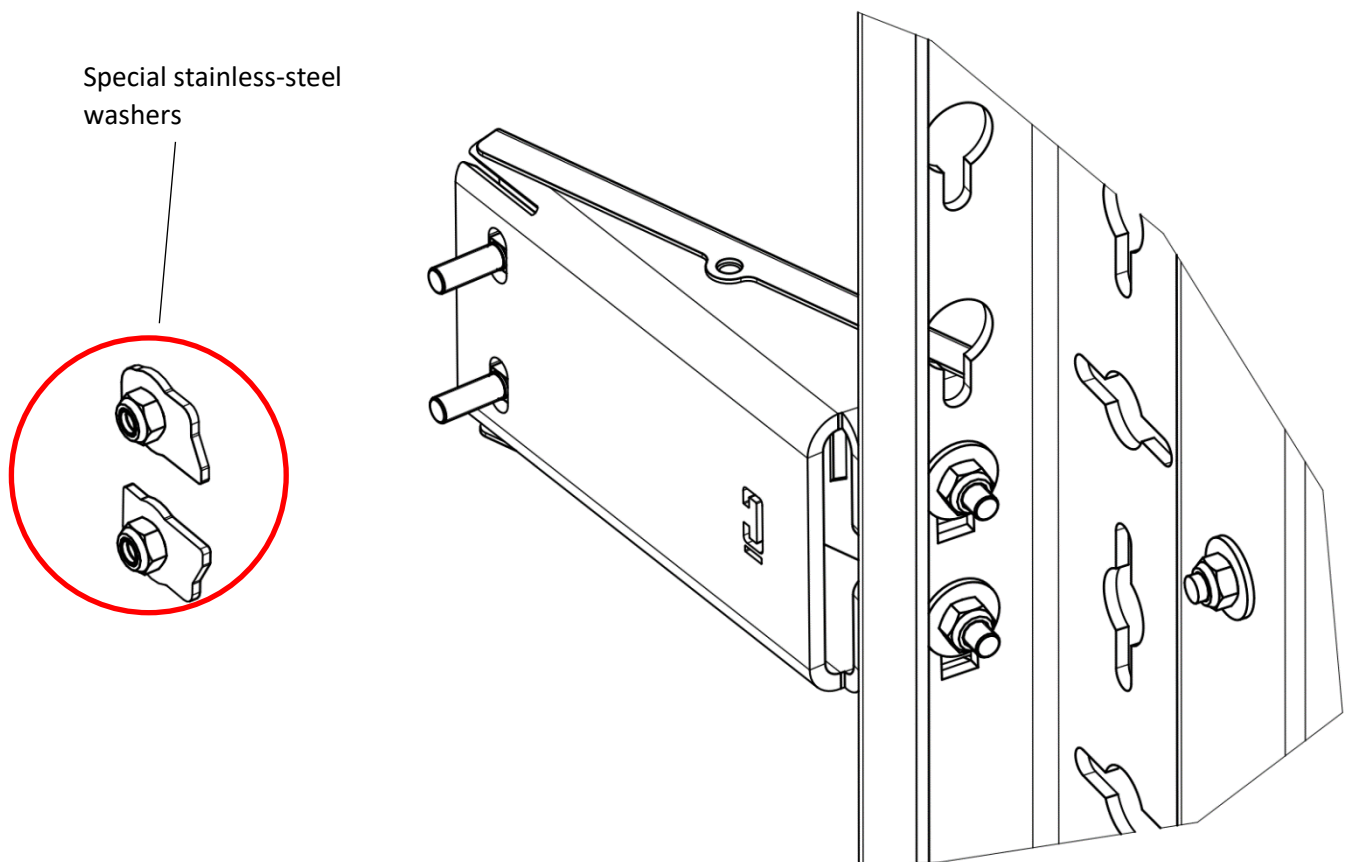
5. MOUNT THE HINGE BRACKETS TO THE CARGO RACK

Mount both hinge brackets [3] to the holes by using the M6 screws.
The longer bracket must be mounted on the bottom position.

6. TEST ASSEMBLY

Test fit the cargo rack with one screw per hinge. Adjust the position of the rack so that the holes in the hinges line up with the holes in the side arms of the cargo rack.

Make sure to use the special stainless-steel washers
(see picture below)

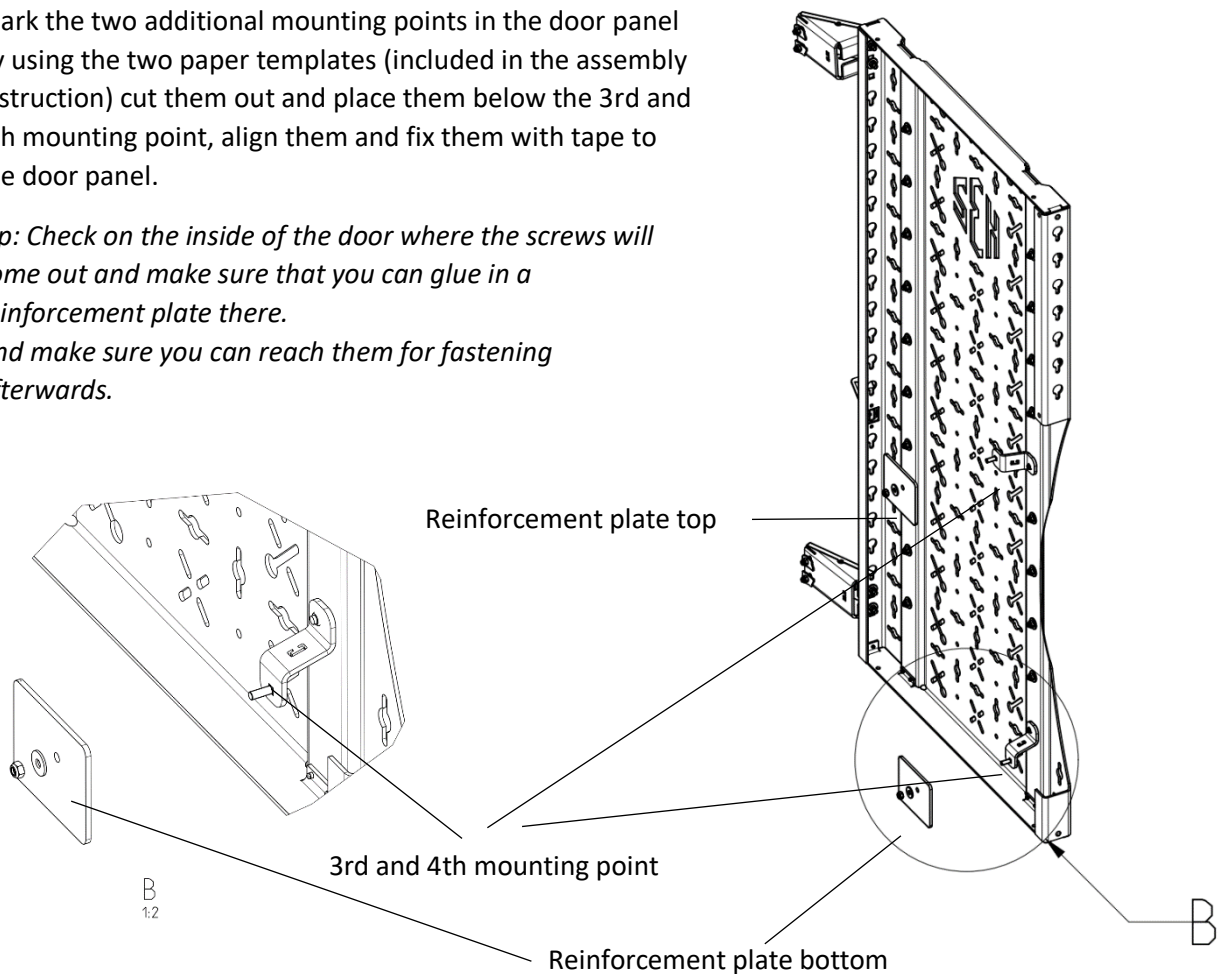


7. MARK THE THIRD AND FOURTH MOUNTING POINT

Mark the two additional mounting points in the door panel by using the two paper templates (included in the assembly instruction) cut them out and place them below the 3rd and 4th mounting point, align them and fix them with tape to the door panel.

Tip: Check on the inside of the door where the screws will come out and make sure that you can glue in a reinforcement plate there.

And make sure you can reach them for fastening afterwards.



8. DRILL THE TWO ADDITIONAL MOUNTING POINTS

Remove the cargo rack again and put it aside.

The two paper templates can be used as a drilling template now.

Drill the two marked mounting points into the door sheet metal.

Tip: start with a 4mm drill, then widen it with a 7mm drill.

Deburr the hole inside and outside with a deburrer or a countersink. Then apply zinc spray to the hole edge to protect them against rust. The best way to do this is using a small brush.

Then also drill the reinforcement plates. Hold them to the inside area of the hole and mark the hole from the outside (also use a 7mm drill for the reinforcement plates).

Clean them with IPA cleaner.

9. GLUE THE REINFORCEMENT PLATE ON THE INSIDE OF THE DOOR

While the zinc spray dries you can use glue (Sika 252) to stick the reinforcement plates to the inside of the door. Make sure the hole in the door and the hole in the reinforcement plate line up (clean all gluing areas with IPA cleaner before adding the glue).

10. ATTACH THE CARGO RACK

Mount the cargo rack again by adding the screws to the hinges. Just tighten the screws slightly so you are still able to adjust the position.

Fix the cargo rack with the two additional mounting points by using the M6 Screws.

For a perfect sealing use the rubber washer for the screws on the door side.

Now you can add the washer and nut on the inside of the door and tighten it up.

Also tighten all 4 screws in the hinges.

Check if the cargo rack has a good and safe fit and make sure everything is tightened properly.

11. MOUNT THE HINGE COVERS

Mount the hinge covers on each cargo rack support arm by using the self-tapping M4 screws (TX25).

ATTENTION:

The customer is responsible for professional typing and registration in accordance with the applicable country-specific requirements and laws.

All fastening screws must be regularly checked for tightness and tightened if necessary (minimum every 6 months).

The H32 Team wishes you lots of fun on your trips. We hope that our products will bring you a lot of joy and value. We look forward to your feedback. Feel free to contact us with positive or negative feedback or questions by email: office@h32-design.com

